



Milwaukee

M12 M18

Nothing but **HEAVY DUTY**

MILWAUKEE TOOL

Milwaukee Electric Tool Corporation
BROOKFIELD, WI 53005
USA
Tel: +1 (262) 781-3600 • Fax: +1 (262) 790-6333

Milwaukee Asia Office
29/F, Tower 2, Kowloon Commerce Centre,
51 Kwai Cheong Road, Kwai Chung, Hong Kong
Tel: +852-2492-2181 • Fax: +852-2490-4778

Distributed by:

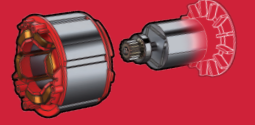
4/11/2021

All data incl. service and warranty conditions as well as product range are subject to change without notice. Pictures not binding. No liability for printing errors or mistakes. © 2021 Milwaukee Electric Tool Corporation. All trademarks are owned by Techtronic Cordless GP unless otherwise stated.

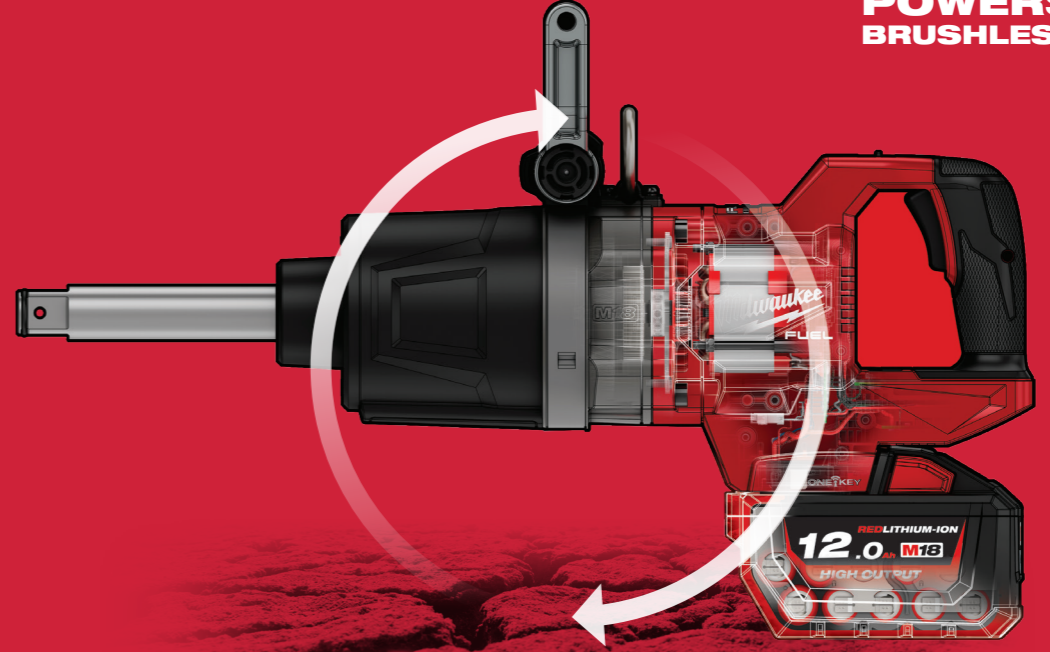
www.milwaukeetool.asia

Milwaukee

M18 FUEL
DRIVEN TO OUTPERFORM.™



POWERSTATE™
BRUSHLESS MOTOR



REDLINK PLUS™
INTELLIGENCE



REDLITHIUM™-ION
BATTERY PACK

M18 ONEFHIWF1D
M18 FUEL
1" D-HANDLE
EXT. ANVIL
HIGH TORQUE
IMPACT
WRENCH

UP TO
2711 NM
NUT-BUSTING
TORQUE

REMOVE & INSTALL
UP TO
120
LUG NUTS

ELIMINATES
COMPRESSORS
& HOSES



DRIVEN TO OUTPERFORM.

M18 FUEL is engineered for the most demanding tradesmen in the world. Delivering unrivaled performance in a compact structure, all M18 FUEL products feature three MILWAUKEE exclusive innovations - the POWERSTATE Brushless Motor, REDLITHIUM-ION Battery Pack and REDLINK PLUS Intelligence Hardware and Software - that deliver unmatched power, run-time and durability.

M18 FUEL

TOOL-FREE SIDE HANDLE

Pre-assembled 360° rotatable angle adjustment

PREMIUM RUBBER BOOT

Built in rubber boot protects surfaces and tool in tough environments

1" FRICTION RING W/ THRU HOLE

Fasten & remove M48+ bolts

REDLITHIUM HIGH OUTPUT 12.0 AH BATTERY

Optimized to drive more bolts and more power per charge

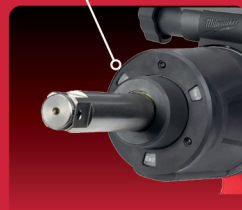
4-MODE DRIVE CONTROL

Adjust the RPM and avoid over-torque



TRI-LED WORKLIGHT

Delivers high definition lighting to increase workspace visibility with less shadows



INTEGRATED LANYARD LOOP

Pre-assembled lanyard loop for storage and transfer of the tool

ERGONOMIC F/R SWITCH

Quickly adjust between forward and reverse without moving hand from the D-Handle unlike pneumatic

PREMIUM RUBBER OVERMOLD

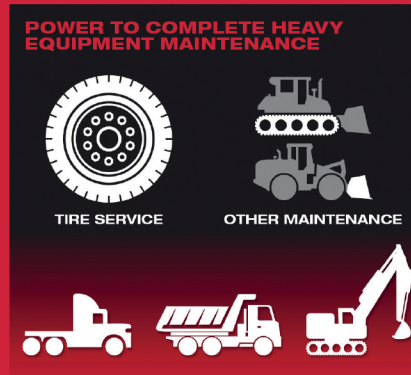
Protection against corrosive materials and ultimate comfort over prolonged use

BATTERY ISOLATOR

Enables movement to prevent internal damage to the battery that can be caused by prolonged high vibration during use

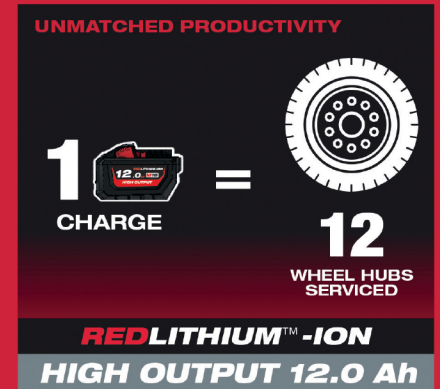
M18 FUEL 1" D-HANDLE HIGH TORQUE IMPACT WRENCH

UP TO 2,711NM NUT-BUSTING TORQUE



- Power to install M48+ Bolts, completing heavy equipment maintenance
- Delivers up to 2,711 Nm nut-busting torque to breakaway rusted and over-torqued commercial lug nuts

REMOVE & INSTALL UP TO 120 LUG NUTS



- Remove & install up to 120 commercial lug nuts
- Maximum performance with REDLITHIUM HIGH OUTPUT 12.0 Ah battery
- No downtime with 2x high output 12.0 Ah batteries & rapid charger

ELIMINATES COMPRESSORS & HOSES



- Allows access to remote jobsite without sacrificing power or performance
- Eliminates compressors and hoses to increase portability and access, lower cost of ownership and increase jobsite safety



SPECIFICATIONS

DESCRIPTION	SPECIFICATIONS	DESCRIPTION	SPECIFICATIONS
No Load Speed (rpm)	0-600 / 0-700 / 0-900 / 0-1,200	Max. Bolt Diameter	M48
Impact Rate (ipm)	0-750 / 0-930 / 0-1,200 / 0-1,440	Max. Nut Busting Torque (Nm)	2,711
Torque (Nm)	1,180 / 1,254 / 1,966 / 2,576	Anvil Type (Friction Ring)	1" Square
		Weight w/ 12.0Ah Battery Pack (kg)	12.34