



M12 UHL

SERVICE PARTS DIAGRAM

TTI Model Number: 016 068 004

M12™ LED UNDERHOOD LIGHT

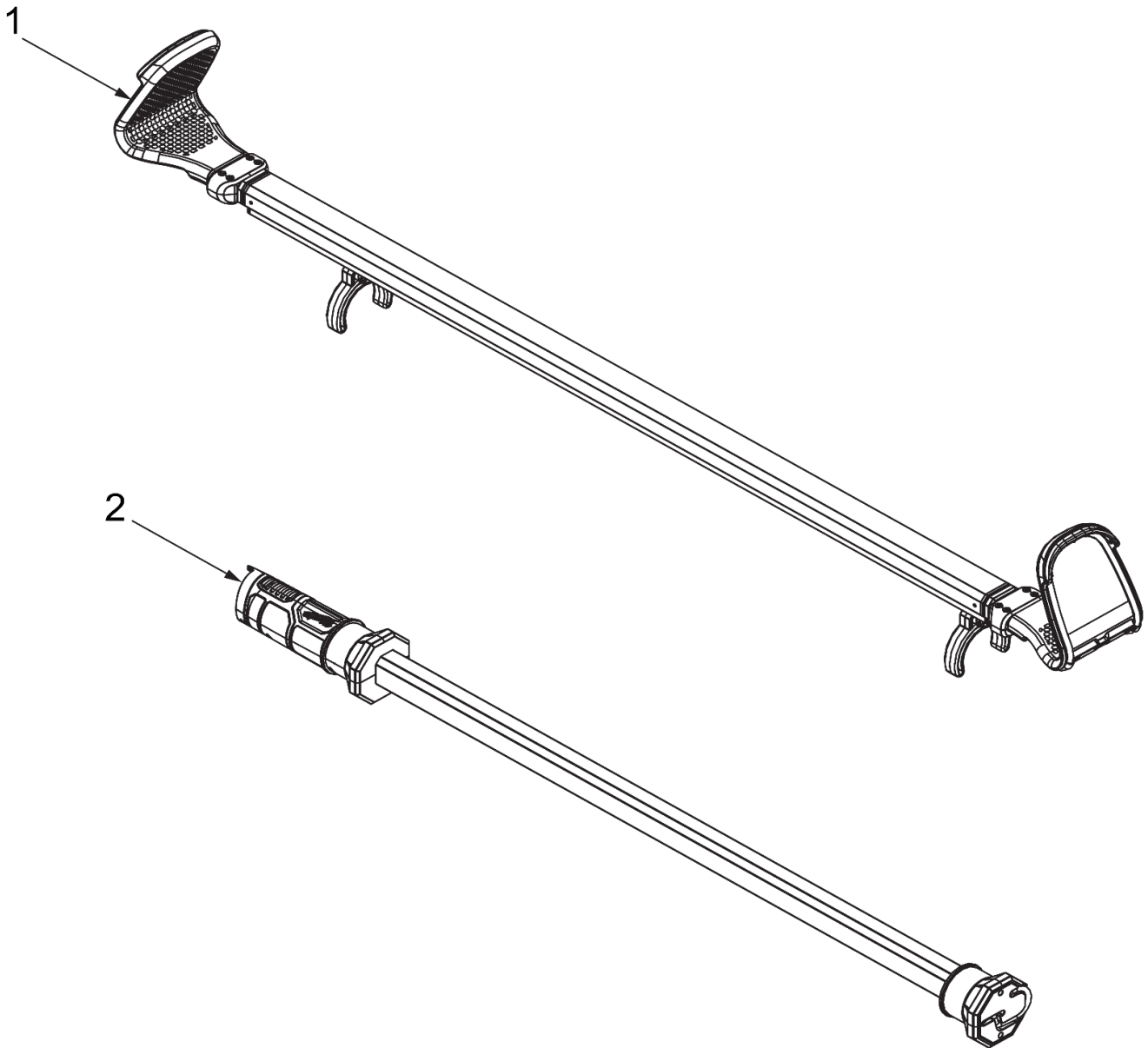
Bulletin Date:

Apr-20

Starting Serial Number:

VERSION A - L2017

EXAMPLE:
00 0 Component Parts (Small #)
Are Included When Ordering
The Assembly (Large #).





M12 UHL

SERVICE PARTS DIAGRAM

TTI Model Number: 016 068 004

M12™ LED UNDERHOOD LIGHT

Bulletin Date:

Apr-20

Starting Serial Number:

VERSION A - L2017

00	0
----	---

EXAMPLE:
Component Parts (Small #)
Are Included When Ordering
The Assembly (Large #).

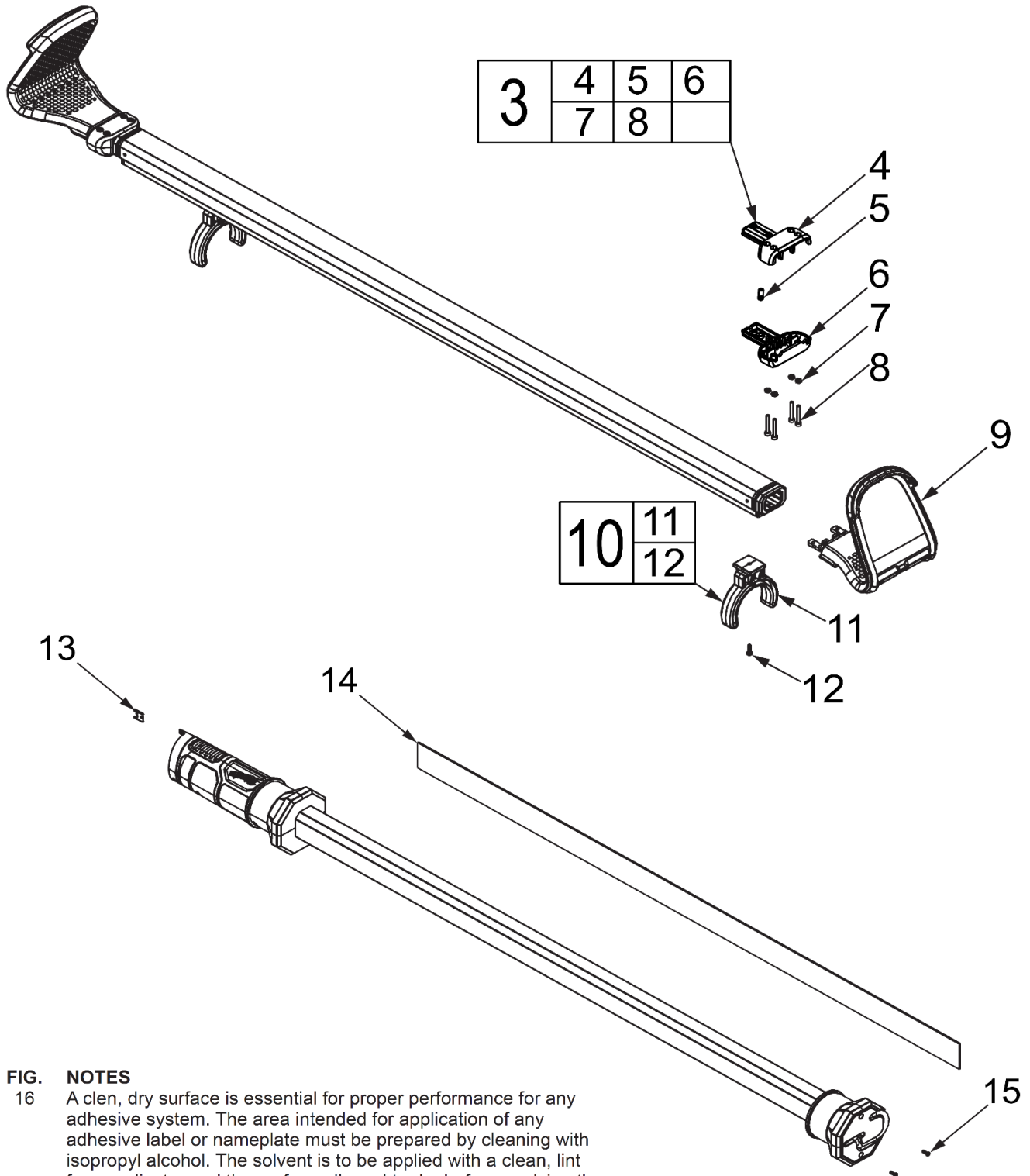


FIG. NOTES

16 A clean, dry surface is essential for proper performance for any adhesive system. The area intended for application of any adhesive label or nameplate must be prepared by cleaning with isopropyl alcohol. The solvent is to be applied with a clean, lint free applicator and the surface allowed to dry before applying the label or nameplate.



M12 UHL

SERVICE PARTS LIST

TTI Model Number: 016 068 004

M12™ LED UNDERHOOD LIGHT

Bulletin Date:

Apr-20

Starting Serial Number:

VERSION A - L2017

ITEM	PART NUMBER	PART DESCRIPTION	QTY (PCS)
1	016068001006	LIGHT CARRIER ASSEMBLY	1
2	016068001001	LIGHT ASSEMBLY	1
3	016068001009	CARRIER HOOK CONNECTOR KIT	1
4	-	BOTTOM TOP	1
5	-	FIXING PIN	1
6	-	CONNECTOR BOTTOM	1
7	-	NUT	4
8	-	M3 X 22MM HEX BOLT	4
9	016068001007	CARRIERHOOK	1
10	016068001008	FIXING HOOK WITH SCREW	1
11	-	FIXING HOOK	1
12	-	M3 X 10MM SCREW	1
13	631542003	BATTERY CLIP	1
14	016068001003	LENS	1
15	016068001002	M2.6 X 10MM SCREW	2
16	01606800401K	RATING LABEL	1