



# M12 SL

SERVICE PARTS DIAGRAM

TTI Model Number: 016 038 004, 013

## M12™ LED STICK LIGHT

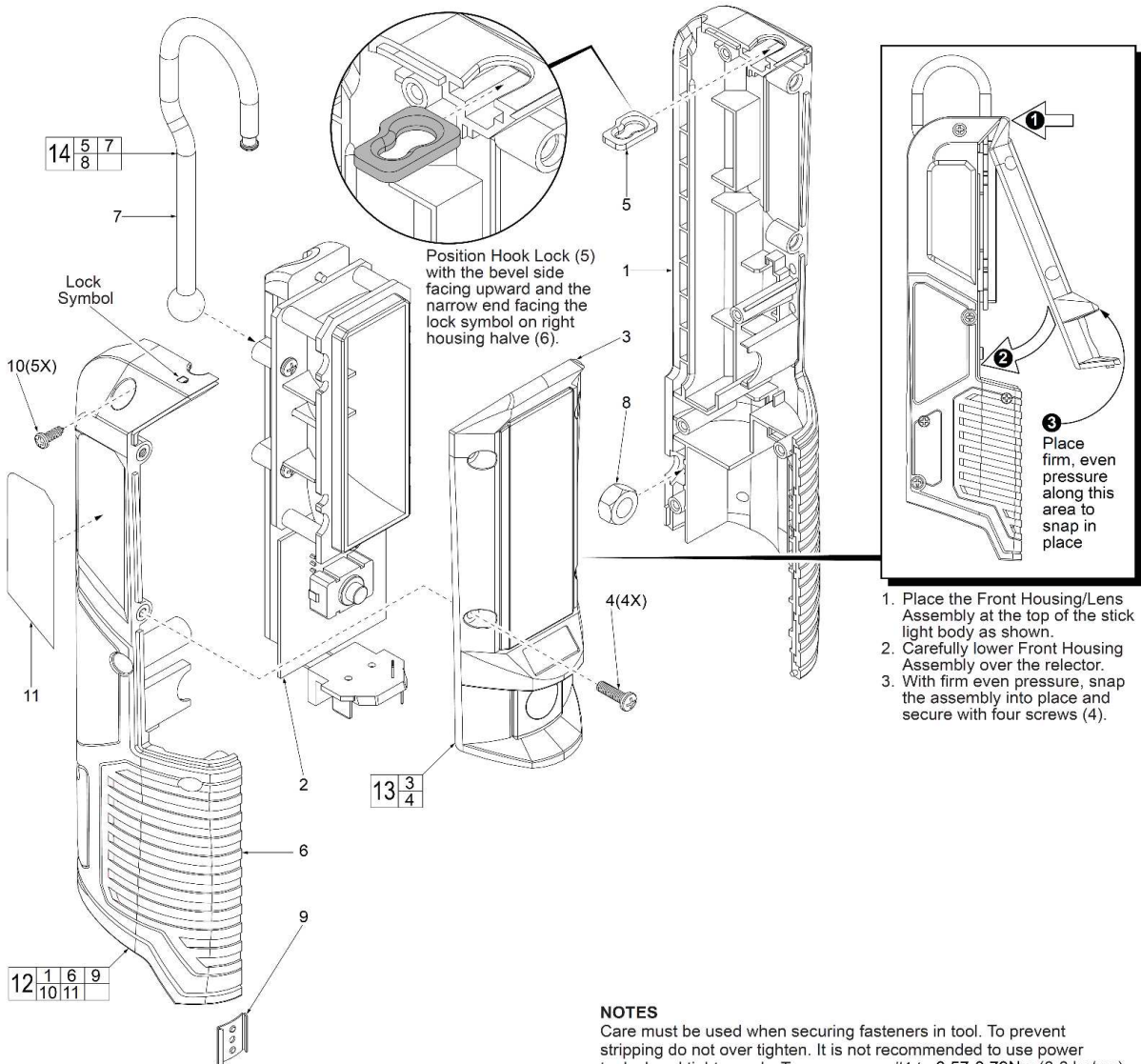
Bulletin Date:

**Feb-21**

Starting Serial Number:

**VERSION A - F2016**

**EXAMPLE:**  
Component Parts (Small #) Are Included  
When Ordering The Assembly (Large #).





# M12 SL

SERVICE PARTS LIST

TTI Model Number: 016 038 004, 013

M12™ LED STICK LIGHT

Bulletin Date:

**Feb-21**

Starting Serial Number:

VERSION A - F2016

ITEM	PART NUMBER	PART DESCRIPTION	QTY (PCS)
1	-	HOUSING HALVE - LEFT	1
2	-	LED / PCBA UNIT	1
3	-	HOUSING FRONT WITH LENS	1
4	-	M2.6 X 8MM SCREW	4
5	-	HOOK LOCK	1
6	-	HOUSING HALVE - RIGHT	1
7	-	HOOK WITH BALL	1
8	-	NUT	1
9	631542001	HOUSING CLIP	1
10	-	M3 X 8MM SCREW	5
11	01603800401K	RATING LABEL <b>016038004 ASIA VERSION</b>	1
11	01603801301K	RATING LABEL <b>016038013 APJ VERSION</b>	1
12	016038001005	HOUSING HALVE KIT	1
13	016038001006	HOUSING FRONT KIT	1
14	016038001007	HOOK / LOCK / NUT KIT	1