



# M12 SAL

SERVICE PARTS DIAGRAM

TTI Model Number: 018 324 004, 007

M12™ STAND AREA LIGHT

Bulletin Date:

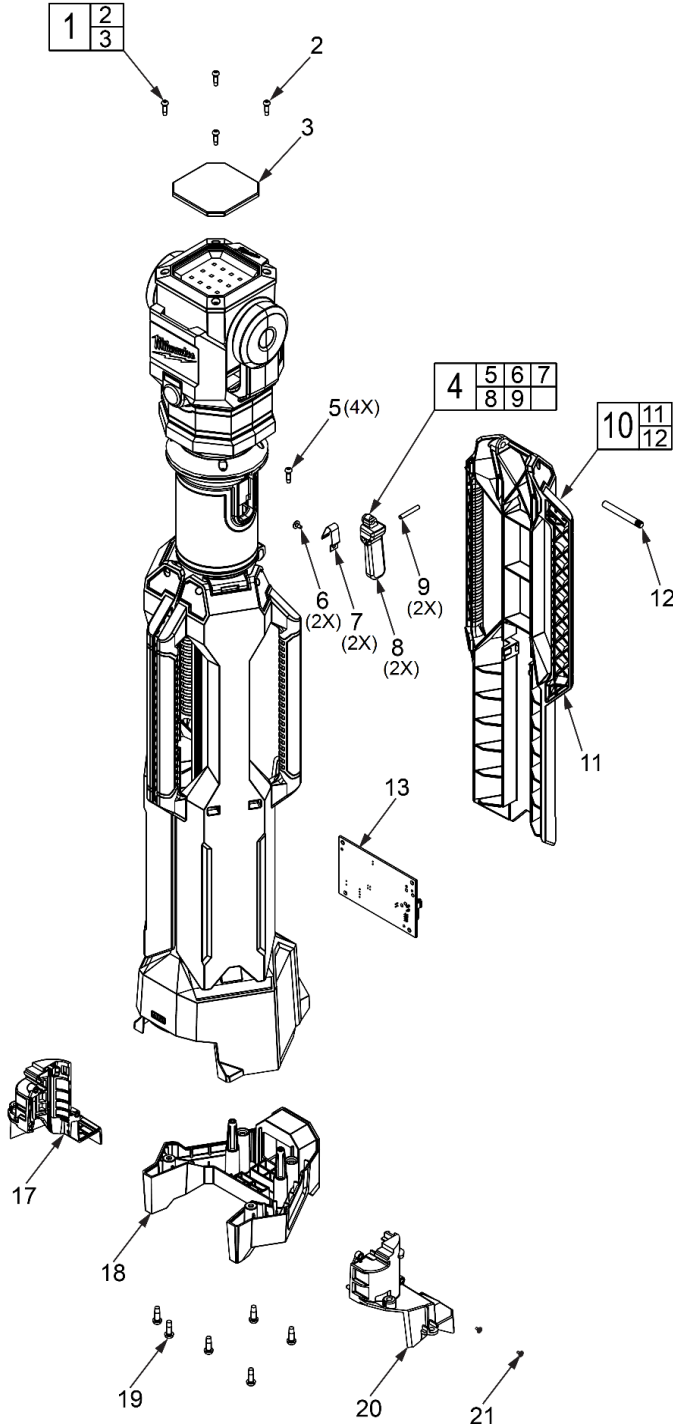
Jan-21

Starting Serial Number:

VERSION A - L2018

|    |   |
|----|---|
| 00 | 0 |
|----|---|

 EXAMPLE:  
Component Parts (Small #)  
Are Included When Ordering  
The Assembly (Large #).



#### NOTES

A clean, dry surface is essential for proper performance for any adhesive system. The area intended for application of any adhesive label or nameplate must be prepared by cleaning with isopropyl alcohol. The solvent is to be applied with a clean, lint free applicator and the surface allowed to dry before applying the label or nameplate.



# M12 SAL

SERVICE PARTS LIST

TTI Model Number: 018 324 004, 007

M12™ STAND AREA LIGHT

**Bulletin Date:**

**Jan-21**

**Starting Serial Number:**

**VERSION A - L2018**

| ITEM | PART NUMBER | PART DESCRIPTION                  | QTY (PCS) |
|------|-------------|-----------------------------------|-----------|
| 1    | 204324002   | LENS KIT                          | 1         |
| 2    | -           | M3 X 11MM SCREW                   | 4         |
| 3    | -           | LENS                              | 1         |
| 4    | 204324003   | TRIGGER KIT (SET OF 2)            | 1         |
| 5    | -           | M3 X 11MM SCREW                   | 4         |
| 6    | -           | M2.3 X 5MM SCREW                  | 2         |
| 7    | -           | TRIGGER SPRING PLATE              | 2         |
| 8    | -           | TRIGGER                           | 2         |
| 9    | -           | TRIGGER PIN                       | 2         |
| 10   | 204324004   | LEG KIT(SET OF 1)                 | 3         |
| 11   | -           | LEG                               | 3         |
| 12   | -           | LEG PIN                           | 3         |
| 13   | 208441001   | PCBA ASSEMBLY WITH TERMINAL BLOCK | 1         |
| 17   | 534866001   | RIGHT BATTERY INTERFACE           | 1         |
| 18   | 534863002   | BASE BOTTOM                       | 1         |
| 19   | 660024046   | M4 X 12MM SCREW                   | 6         |
| 20   | 534865001   | LEFT BATTERY INTERFACE            | 1         |
| 21   | 660836001   | M3 X 8MM SCREW                    | 2         |