



M12 PAL

SERVICE PARTS DIAGRAM

TTI Model Number: 016 146 009

M12™ PIVOTING AREA LIGHT WITH USB CHARGING

Bulletin Date:

Dec-20

Starting Serial Number:

VERSION A -

00
0

EXAMPLE:

Component Parts (Small #) Are Included
When Ordering The Assembly (Large #).

1 Loosen or remove this screw

3 With a thin flat blade
screwdriver, slightly
pry open housing
at the seam

4 Insert USB Cover
through separated
opening

2 Loosen this screw

5 Secure screws loosened
in steps 1 and 2

As an aid to installing a service replacement USB Cover (1)
follow these instructions:

1. Temporarily loosen or remove the housing screw closest to the USB Cover.
2. Temporarily loosen the housing screw on the other end of housing as shown.
3. Use a thin, flat blade screwdriver and place in the seam of the housing halves. Create a gap between the housings by slightly prying the housing halves open.
4. Place stem of the USB Cover through the hole and gap of housing as shown.
5. With the USB Cover stem properly in place, reinstall and secure screws by hand tightening.

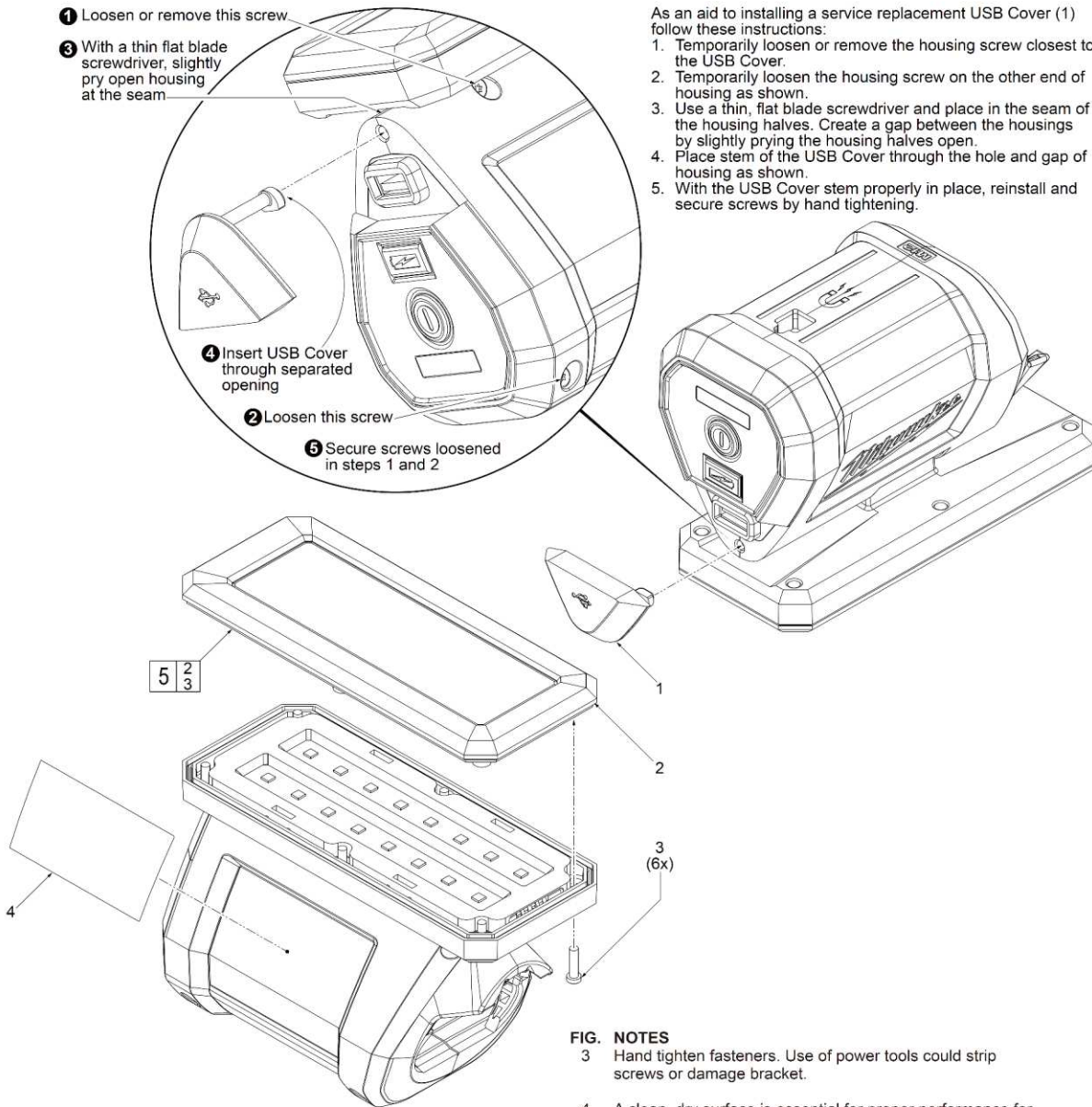


FIG. NOTES

- 3 Hand tighten fasteners. Use of power tools could strip screws or damage bracket.
- 4 A clean, dry surface is essential for proper performance for any adhesive system. The area intended for application of any adhesive label or nameplate must be prepared by cleaning with isopropyl alcohol. The solvent is to be applied with a clean, lint free applicator and the surface allowed to dry before applying the label or nameplate.

	<h1>M12 PAL</h1> <p>SERVICE PARTS LIST</p>	Bulletin Date: Dec-20
	<p>TTI Model Number: 016 146 009</p> <p>M12™ PIVOTING AREA LIGHT WITH USB CHARGING</p>	Starting Serial Number: VERSION A -

ITEM	PART NUMBER	PART DESCRIPTION	QTY (PCS)
1	016146001001	RUBBER, USB COVER	1
2	-	LENS/BRACKET	1
3	-	M2.5 X 10MM PAN HD. SCREW	6
4	01614600901K	RATING LABEL	1
5	016146001003	LENS/BRACKET KIT	1