



M12 LL

SERVICE PARTS DIAGRAM

TTI Model Number: 016 047 004, 007

M12™ LED LANTERN LIGHT

Bulletin Date:

Jan-21

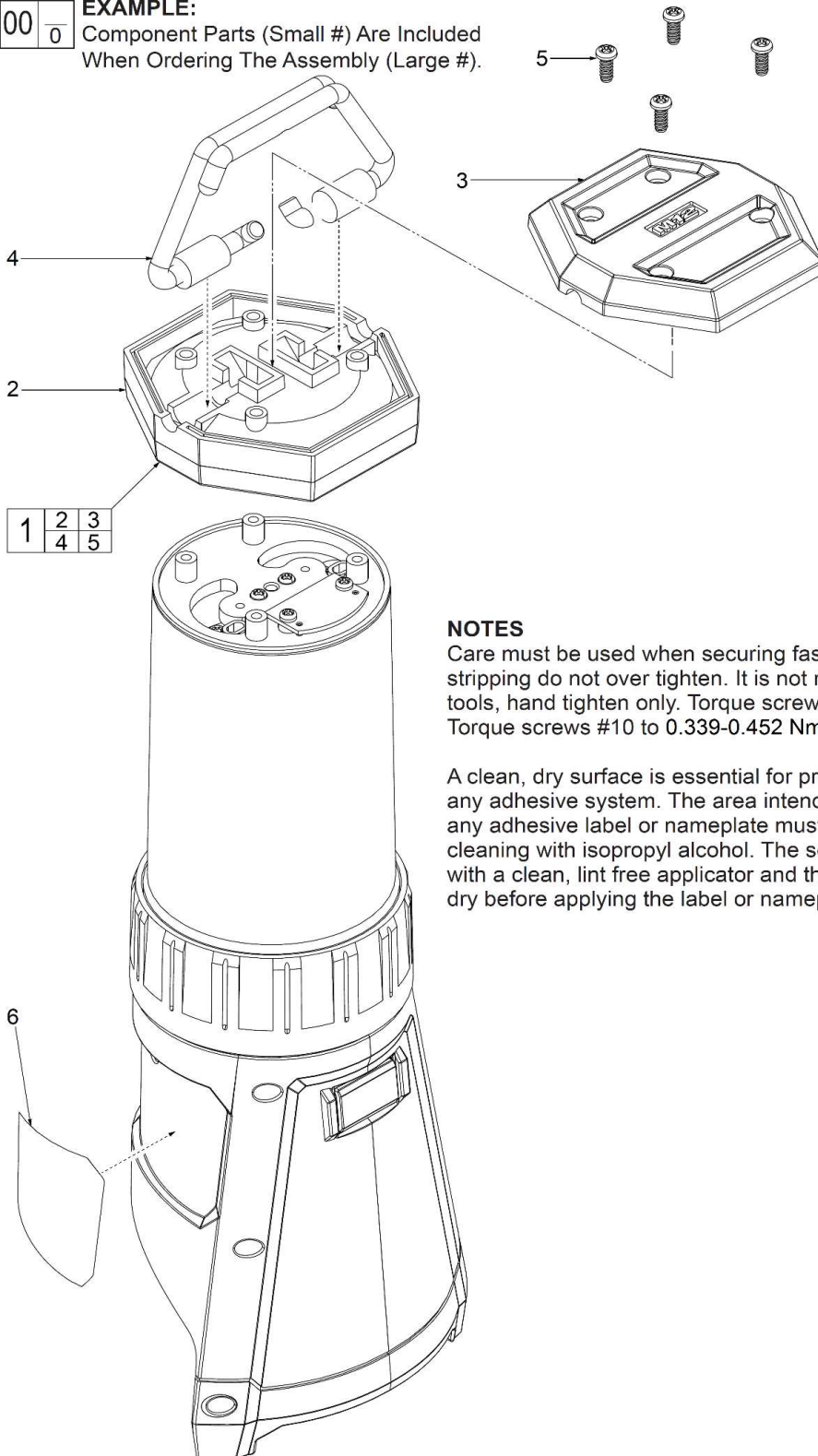
Starting Serial Number:

VERSION A - F2016

00
0

EXAMPLE:

Component Parts (Small #) Are Included When Ordering The Assembly (Large #).



NOTES

Care must be used when securing fasteners in tool. To prevent stripping do not over tighten. It is not recommended to use power tools, hand tighten only. Torque screws #4 to 0.565-0.791 Nm Torque screws #10 to 0.339-0.452 Nm (3.5-4.5 kg/cm).

A clean, dry surface is essential for proper performance for any adhesive system. The area intended for application of any adhesive label or nameplate must be prepared by cleaning with isopropyl alcohol. The solvent is to be applied with a clean, lint free applicator and the surface allowed to dry before applying the label or nameplate.

	<h1>M12 LL</h1> <p>SERVICE PARTS LIST</p>	Bulletin Date: <h2>Jan-21</h2>
	TTI Model Number: 016 047 004, 007 M12™ LED LANTERN LIGHT	Starting Serial Number: VERSION A - F2016

ITEM	PART NUMBER	PART DESCRIPTION	QTY (PCS)
1	016047001002	CAP / HOOK ASSEMBLY	1
2	-	CAP	1
3	-	COVER	1
4	-	HOOK ASSEMBLY	2
5	-	M4 X 12MM SCREW	4
6	01604700401K	RATING LABEL 016047004 ASIA VERSION	1
6	01604700701K	RATING LABEL 016047007 APJ VERSION	1