



M12 FDGS

SERVICE PARTS DIAGRAM

TTI Model Number: 018 393 007, 008, 012

M12 FUEL™ STRAIGHT DIE GRINDER

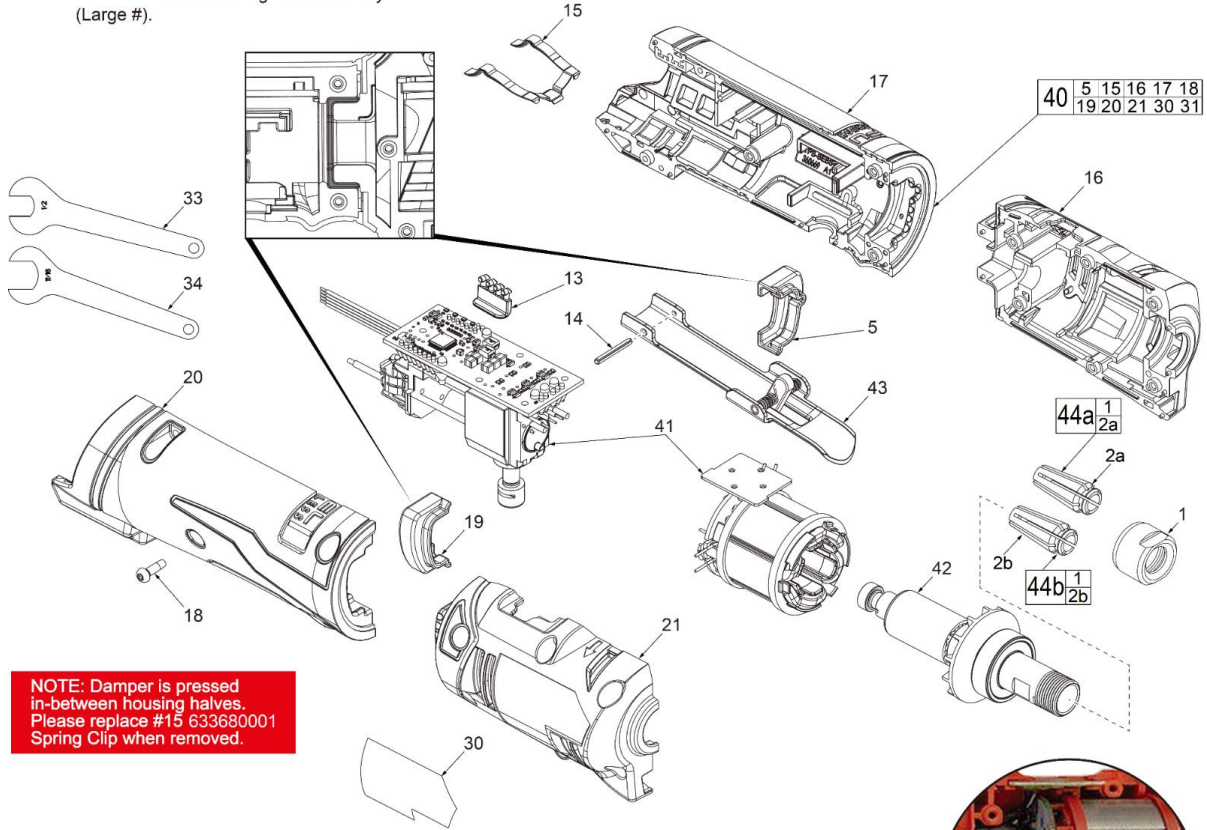
Bulletin Date:

Dec-20

Starting Serial Number:

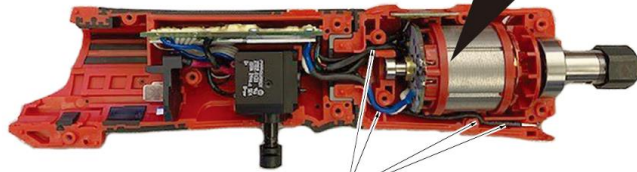
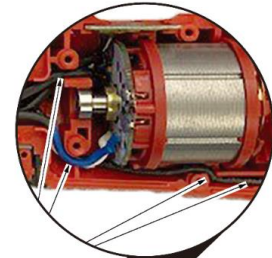
VERSION A -

EXAMPLE:
Component Parts (Small #) Are Included When Ordering The Assembly (Large #).



NOTE: Damper is pressed in-between housing halves. Please replace #15 633680001 Spring Clip when removed.

Install the electronics assembly, route wires through wire traps and channels as shown. Be sure all components are seated squarely and firmly in place. Be sure there is no interference when installing the housing covers (20, 21).



Wire Traps or Channels

SCREW TORQUE SPECIFICATIONS

FIG.	PART NO.	WHERE USED	SEAT TORQUE	
			(KG/CM)	(Nm)
18	660230016	Housing Cover Head	7-9	0.68-0.88
18	660230016	Housing Cover Grip	7-9	0.68-0.88





M12 FDGS

SERVICE PARTS LIST

TTI Model Number: 018 393 007, 008, 012

M12 FUEL™ STRAIGHT DIE GRINDER

Bulletin Date:

Dec-20

Starting Serial Number:

VERSION A -

ITEM	PART NUMBER	PART DESCRIPTION	QTY (PCS)
1	695711001	COLLET NUT	1
2a	698073001	6MM COLLET	1
2b	698074001	8MM COLLET	1
5	-	DAMPER FOR SUPPORT	1
13	537799001	LIGHT PIPE	1
14	673021004	RIVET PIN FOR HOUSING	1
15	633680001	SPRING CLIP	1
16	-	HOUSING SUPPORT HEAD	1
17	-	HOUSING SUPPORT GRIP	1
18	660230016	HOUSING SCREW	11
19	-	DAMPER FOR COVER	1
20	-	HOUSING COVER GRIP	1
21	-	HOUSING COVER HEAD	1
30	941050338	RATING LABEL <i>018393007, 008 ASIA VERSION</i>	1
30	941050584	RATING LABEL <i>018393012 ONLY JP VERSION</i>	1
31	941050339	WARNING LABEL (NOT SHOWN) <i>018393007, 008 ASIA VERSION</i>	1
31	941300243	WARNING LABEL (NOT SHOWN) <i>018393012 ONLY JP VERSION</i>	1
32	698074001	8MM COLLET (OPTIONAL) (NOT SHOWN)	1
33	637607001	OPEN END WRENCH(15MM)	1
34	637606001	OPEN END WRENCH(17MM)	1
35	903210012	CONTACTOR BAG	1
40	204393002	HOUSING KIT <i>018393007, 008 ASIA VERSION</i>	1
40	204393008	HOUSING KIT <i>018393012 ONLY JP VERSION</i>	1
41	208393003	ELECTRONICS ASSEMBLY	1
42	208394004	ROTOR ASSEMBLY <i>018393007, 008 ASIA VERSION</i>	1
42	208394006	ROTOR ASSEMBLY <i>018393012 ONLY JP VERSION</i>	1
43	315595002	PADDLE TRIGGER ASSEMBLY	1
44a	204394008	1/4" COLLET AND NUT KIT	1
44b	204394009	COLLET NUT AND 8MM COLLET ASSEMBLY	1