



M12 AL

SERVICE PARTS DIAGRAM

TTI Model Number: 016 063 004, 006

M12™ LED AREA LIGHT

Bulletin Date:

Jan-21

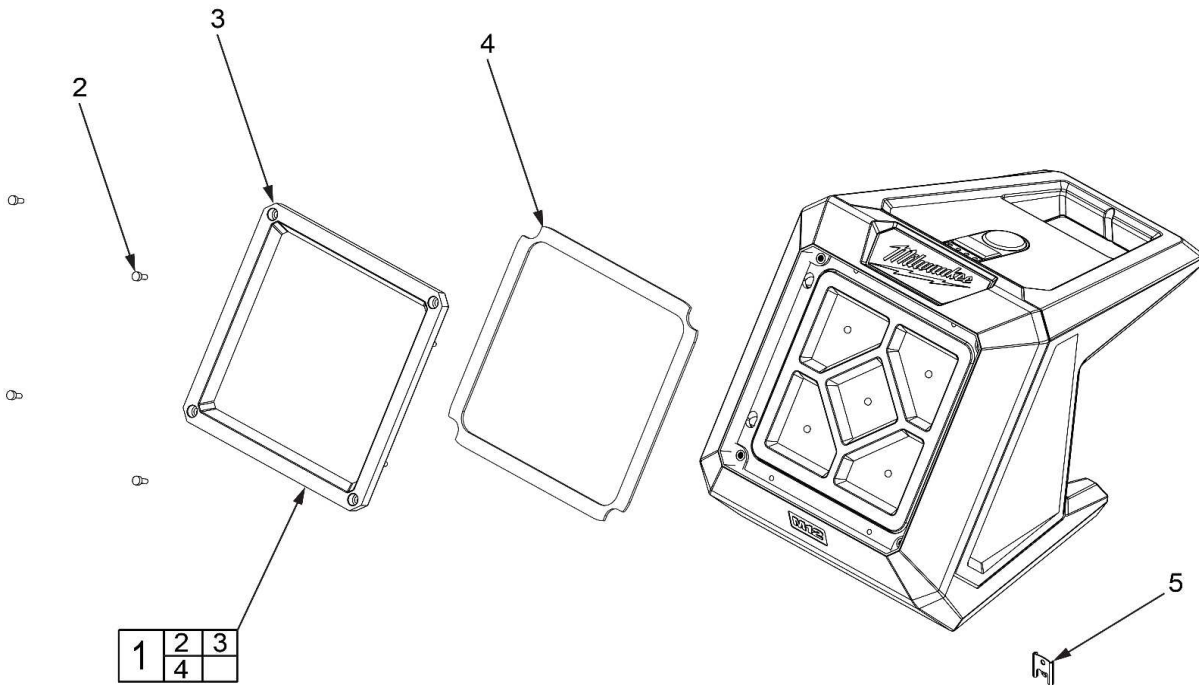
Starting Serial Number:

VERSION A - C2017

00	0
----	---

EXAMPLE:

Component Parts (Small #)
Are Included When Ordering
The Assembly (Large #).



NOTES

A clean, dry surface is essential for proper performance for any adhesive system. The area intended for application of any adhesive label or nameplate must be prepared by cleaning with isopropyl alcohol. The solvent is to be applied with a clean, lint free applicator and the surface allowed to dry before applying the label or nameplate.

	<h1>M12 AL</h1> <p>SERVICE PARTS LIST</p>	Bulletin Date: <h2>Jan-21</h2>
	<p>TTI Model Number: 016 063 004, 006</p> <p>M12™ LED AREA LIGHT</p>	Starting Serial Number: <p>VERSION A - C2017</p>

ITEM	PART NUMBER	PART DESCRIPTION	QTY (PCS)
1	016063001001	LENS ASSEMBLY	1
2	016063001002	M2.5 X 8MM SCREW	4
3	-	LENS W/ COVER	1
4	-	GASKET	1
5	631542003	HOUSING CLIP	1
6	01606300601K	RATING LABEL <i>016063006 ONLY JP VERSION</i>	1