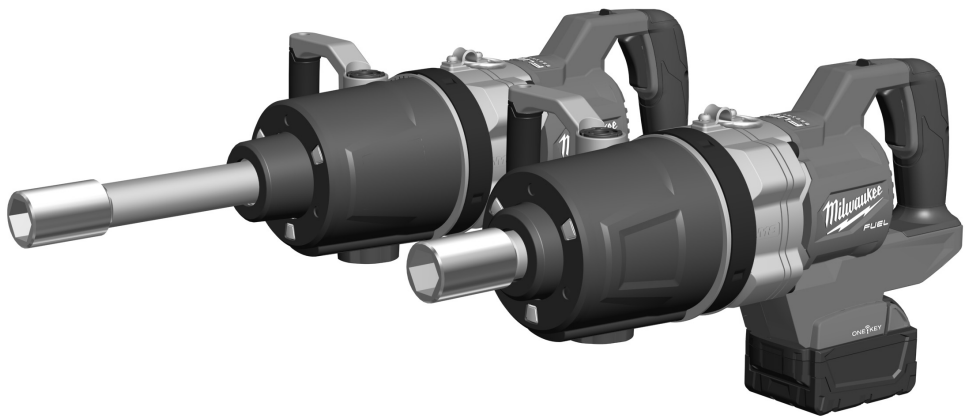


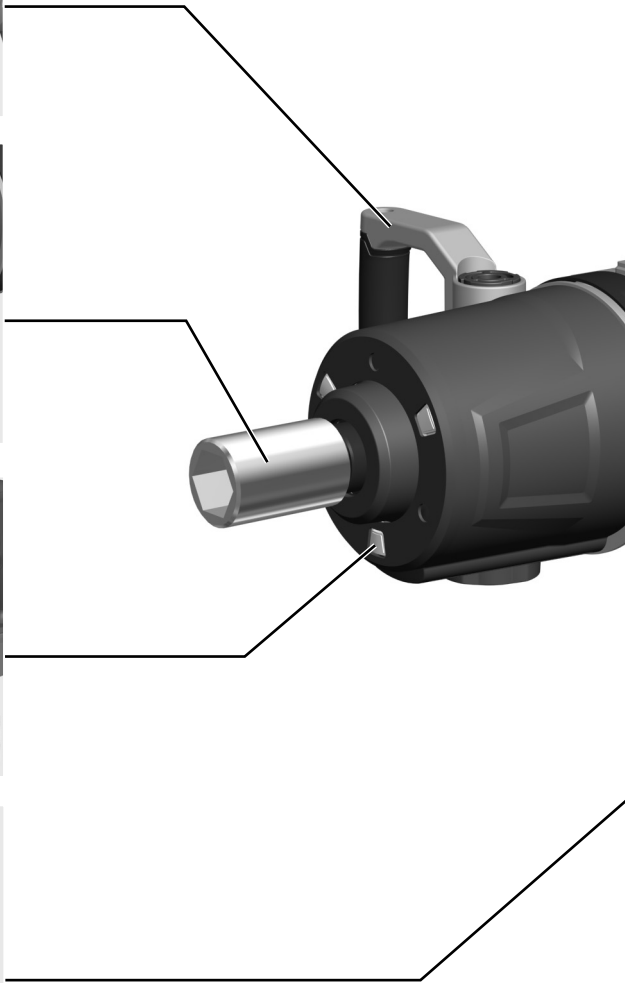
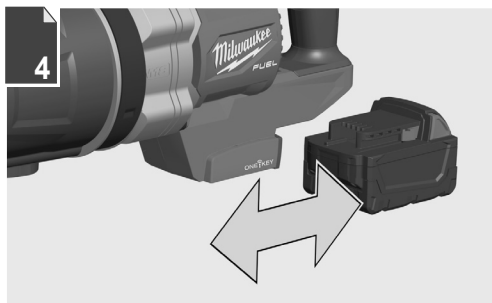
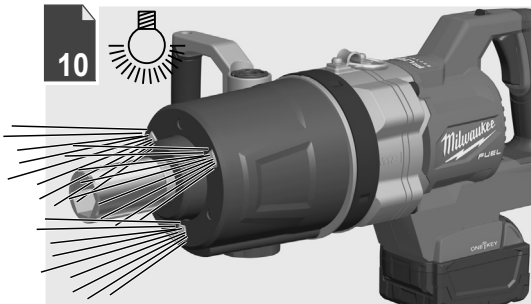
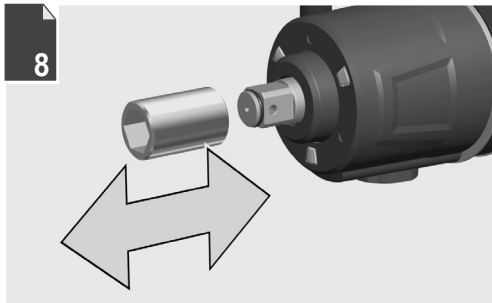
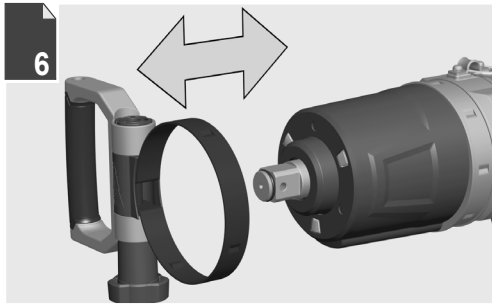
Milwaukee™

Nothing but **HEAVY DUTY.™**



M18 ONEFHIWF1D M18 ONEFHIWF1DS

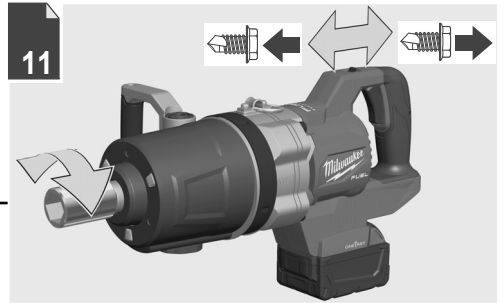
- EN User Manual
- ZH 操作指南
- ZH 操作指南
- KO 사용시 주의사항
- TH คู่มือการใช้งาน
- ID Buku Petunjuk Pengguna
- VI Cẩm nang hướng dẫn sử dụng
- JA ユーザーマニュアル



13



11



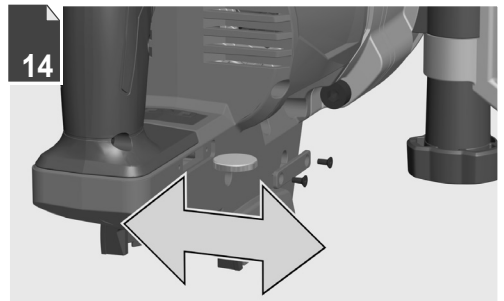
9

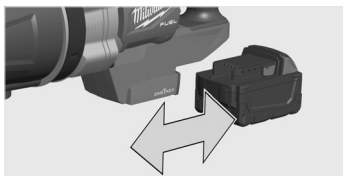


12



14





Remove the battery pack before starting any work on the product.

對產品進行任何工作前，先移除電池。

在产品上开始任何工作之前，请先取出电池组。

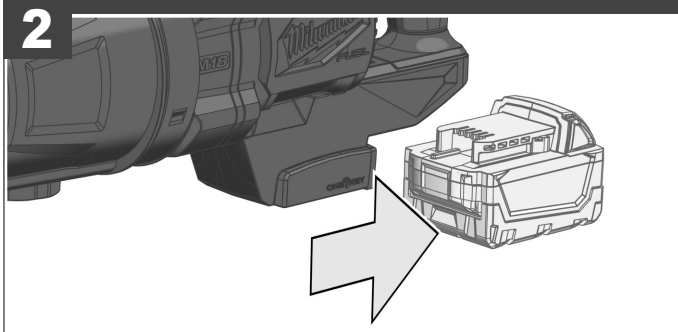
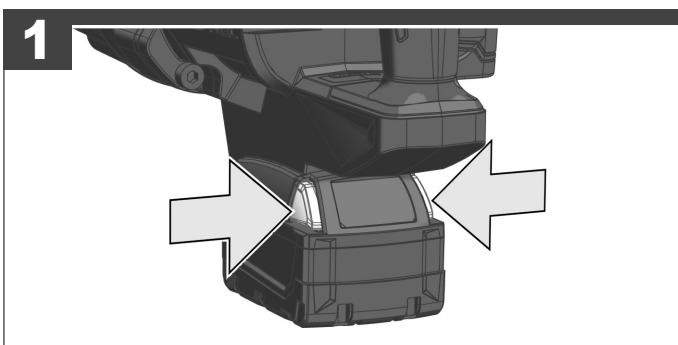
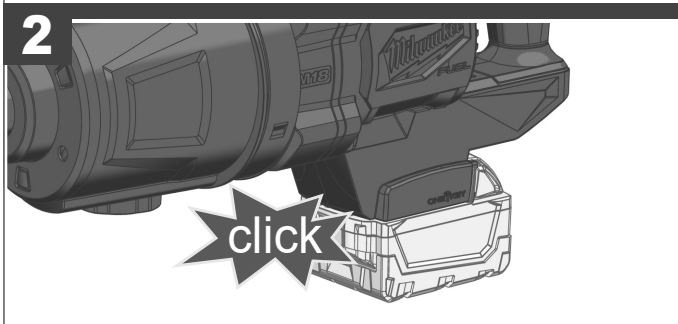
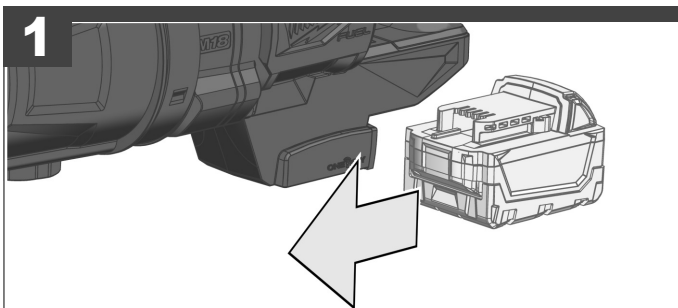
제품 사용 전, 배터리 팩을 제거하십시오.

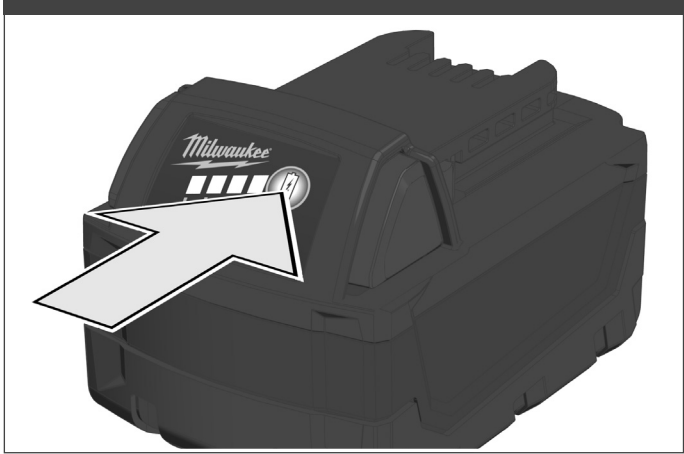
ถอดชุดแบตเตอรี่ออกก่อนเริ่มการทำงานใด ๆ กับผลิตภัณฑ์

Lepaskan paket baterai sebelum memulai pekerjaan apa pun pada produk.

Tháo pin trước khi bắt đầu thao tác với sản phẩm.

製品のメンテナンス、アクセサリを交換する前に、バッテリーパックを取り外してください。





78-100 %



55-77 %



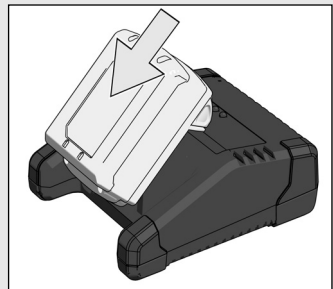
33-54 %

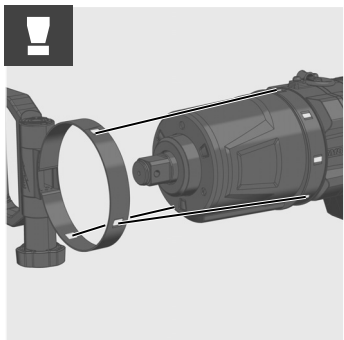
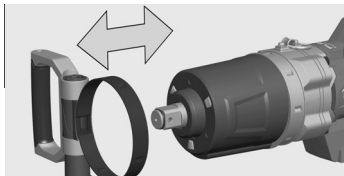


10-32 %

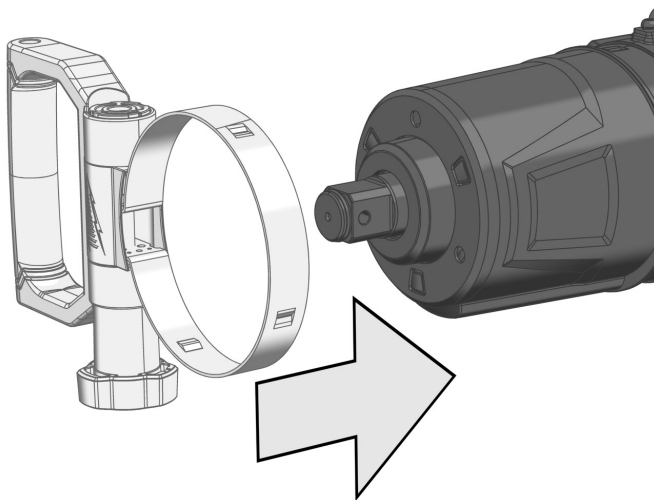


< 10 %

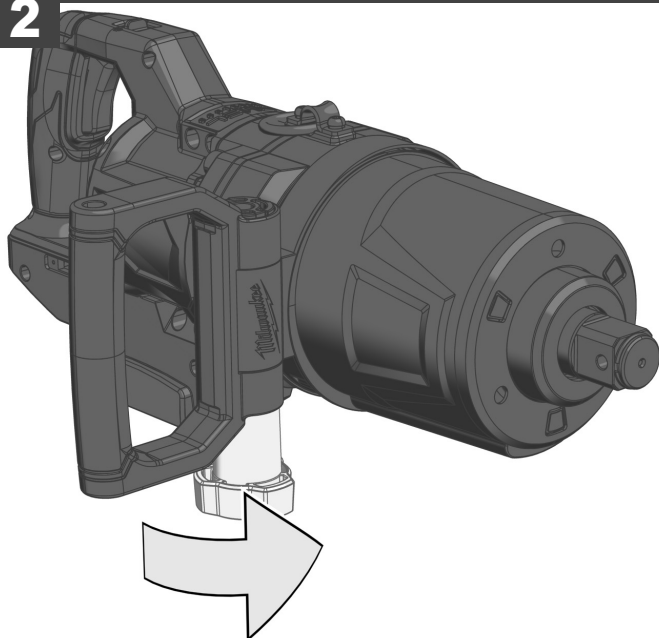


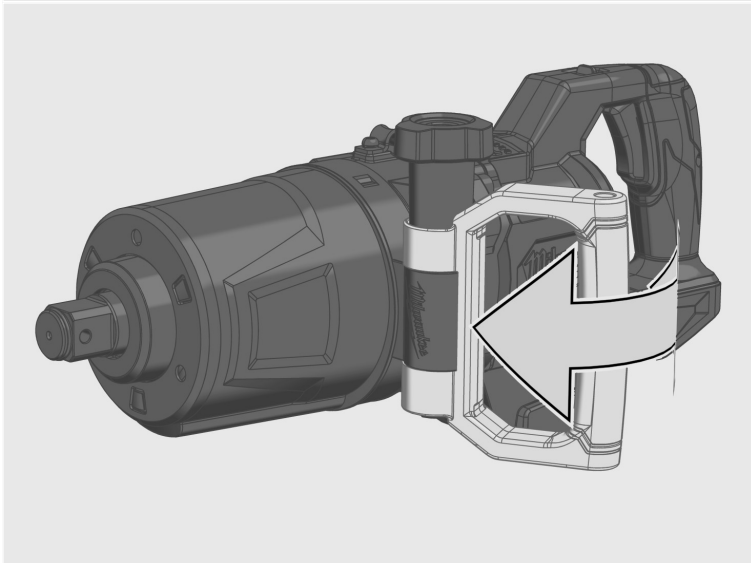
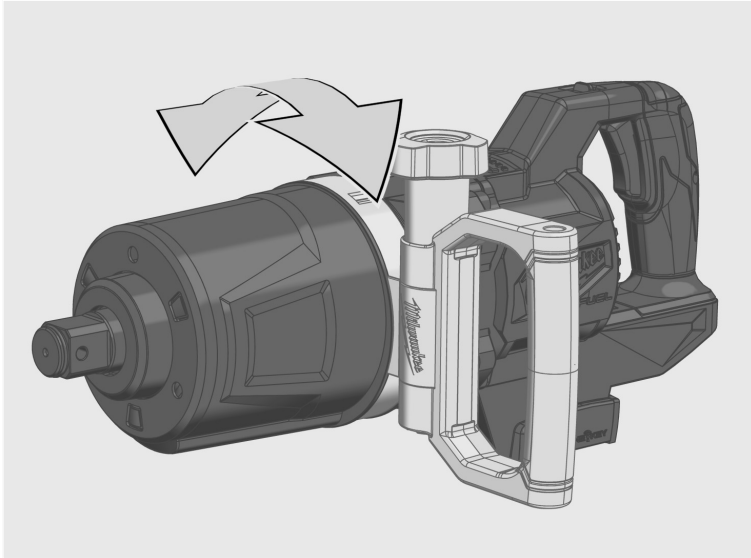


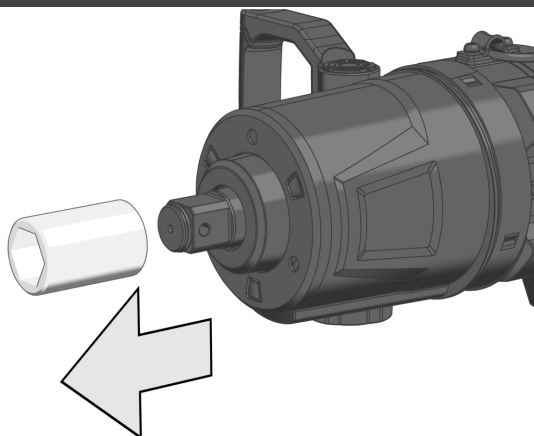
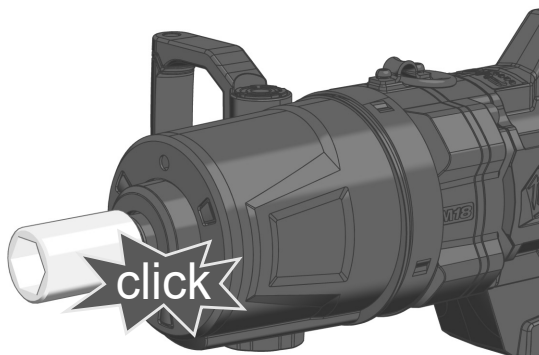
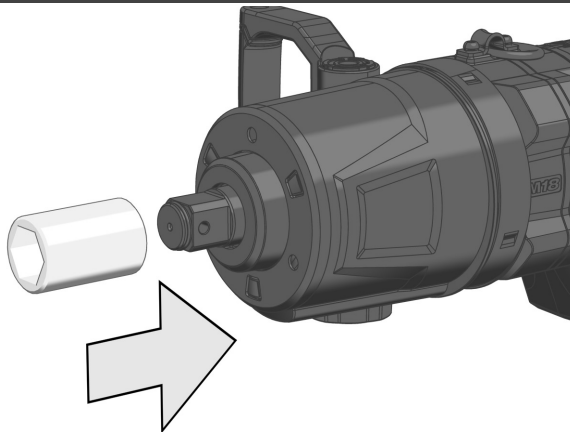
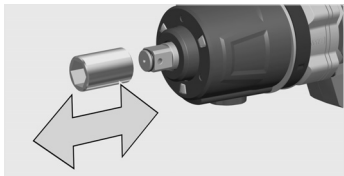
1

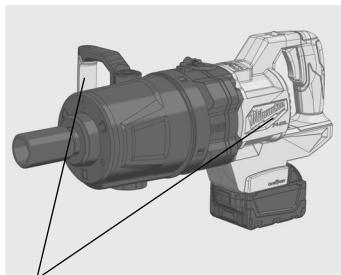


2









Handle (insulated gripping surface)

把手 (絶縁握持面)

把手 (絶縁握持表面)

손잡이 (절연 그립 표면)

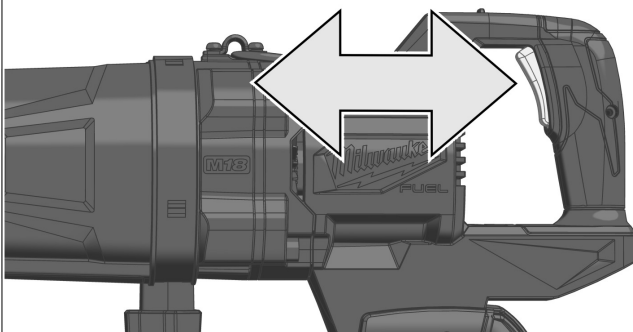
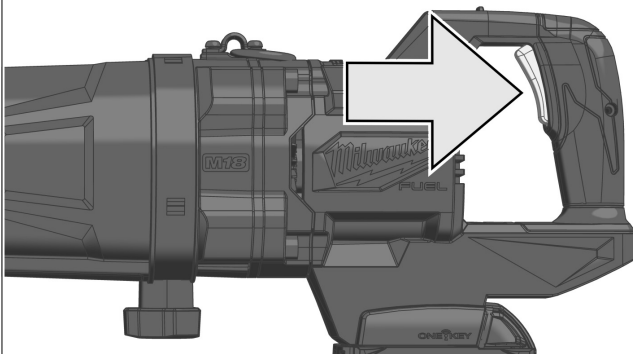
มือจับ (พื้นผิวจับกันความร้อน)

Gagang (permukaan genggam berinsulasi)

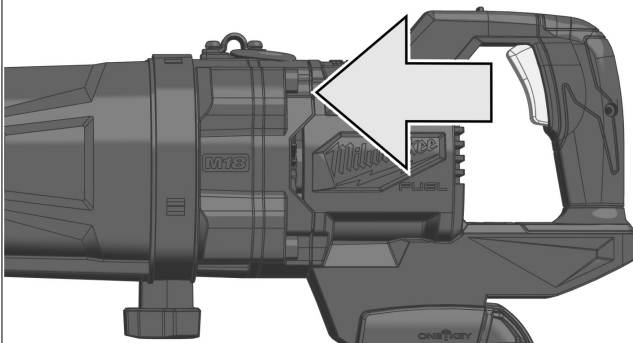
Xử lý (Bề mặt tay cầm được cách điện)

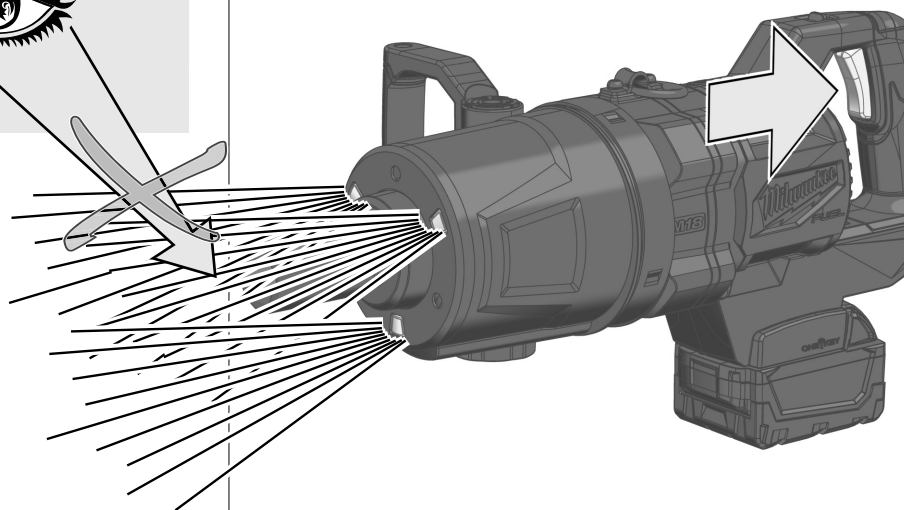
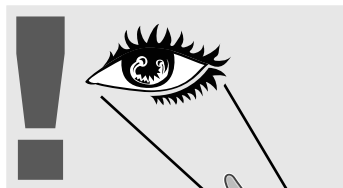
ハンドル (絶縁グリップ面)

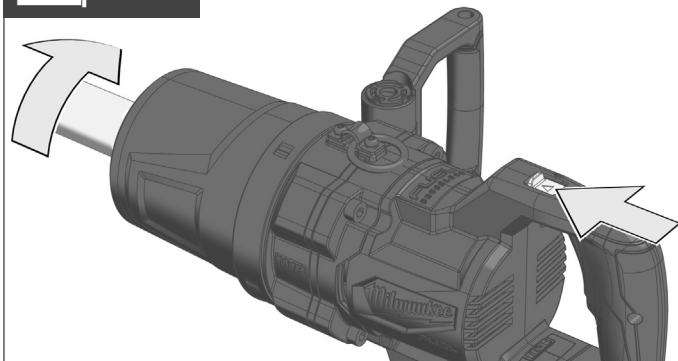
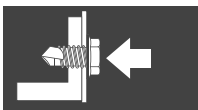
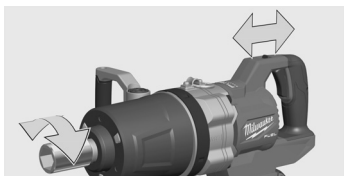
START



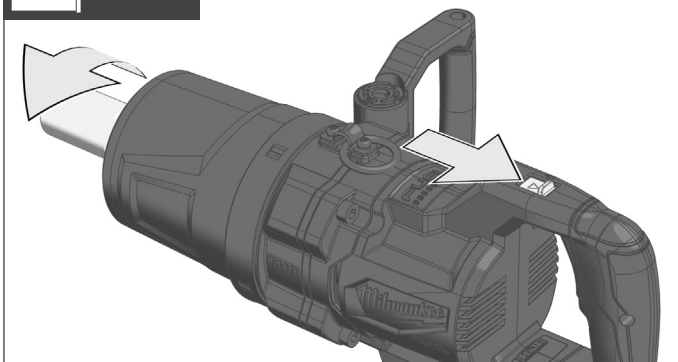
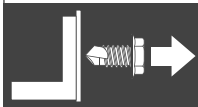
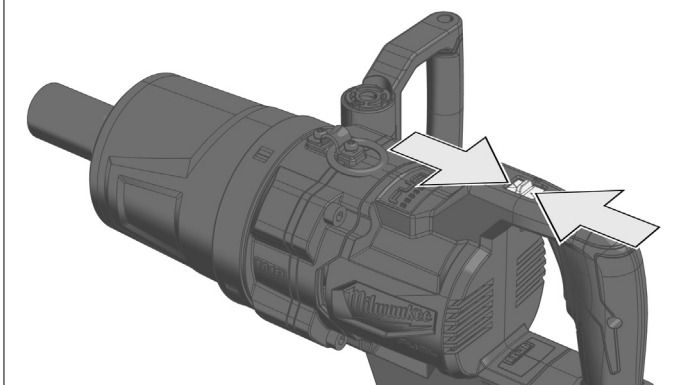
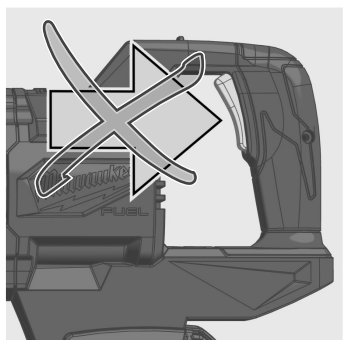
STOP

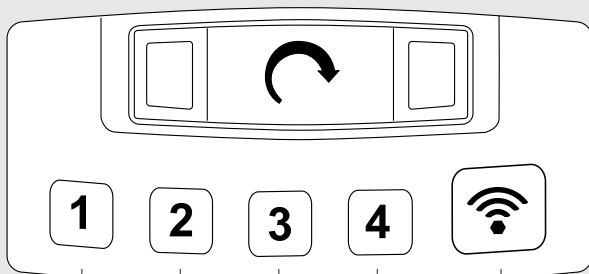
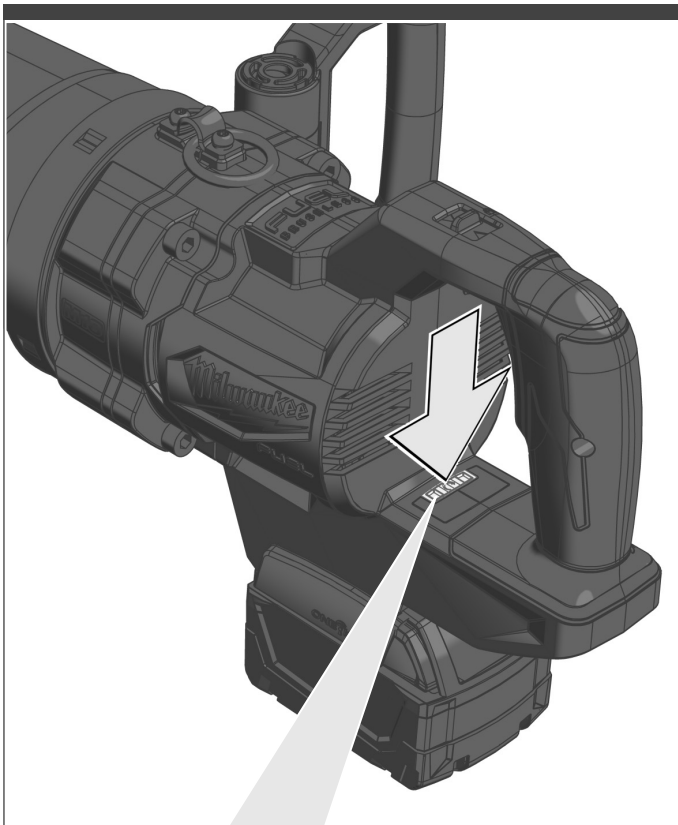






LOCK





	0-600	0-700	0-900	0-1200
min ⁻¹	0-750	0-930	0-1200	0-1440





Accessory - Not included in standard equipment, available as an accessory.

配件 - 不在標配設備中，可作為配件供應。

附件 - 不在標配設備中，可作為附件供應。

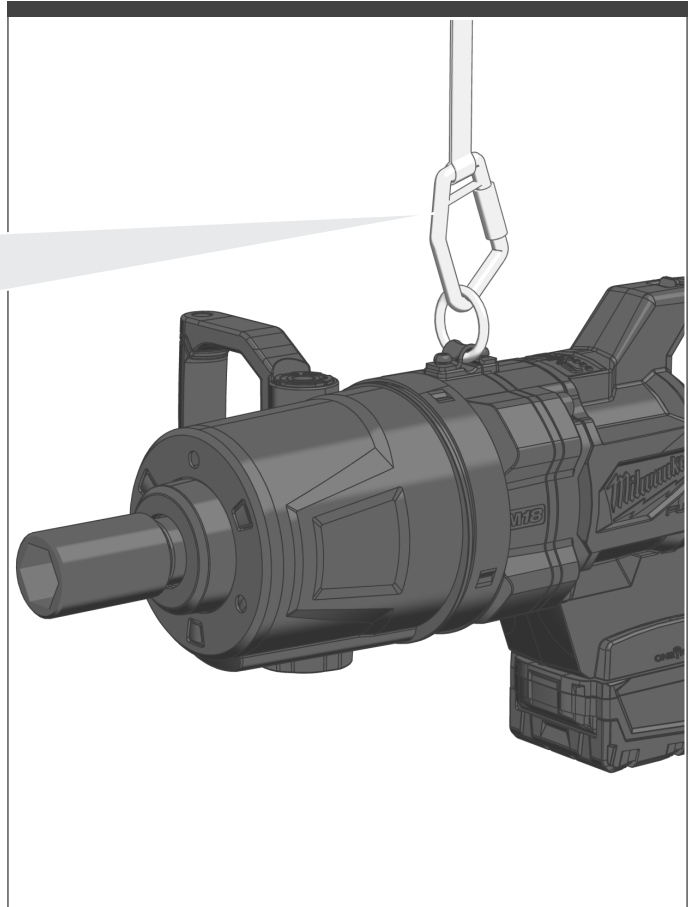
부속품 - 기본 제품에는 포함되어 있지 않습니다. 부속품으로 별도 구입해야 합니다.

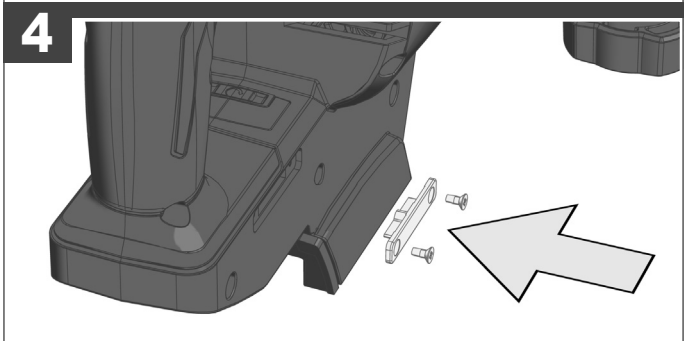
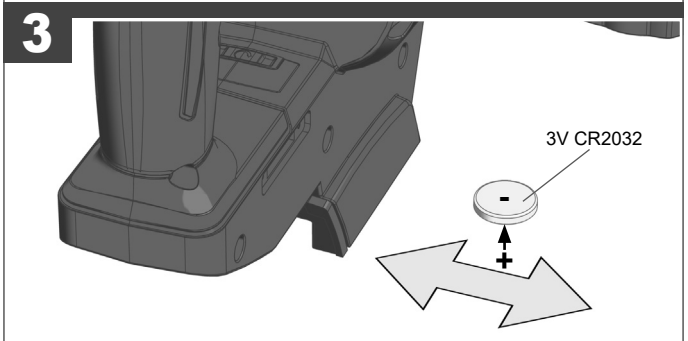
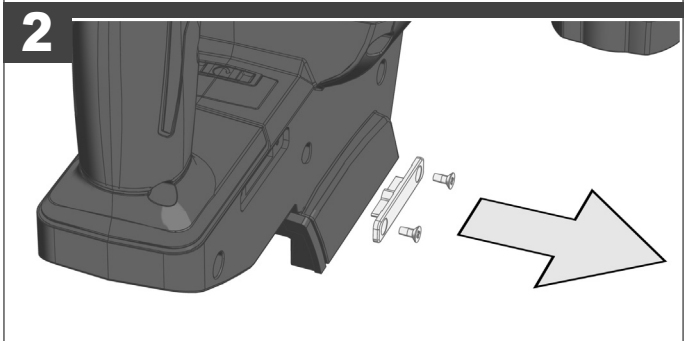
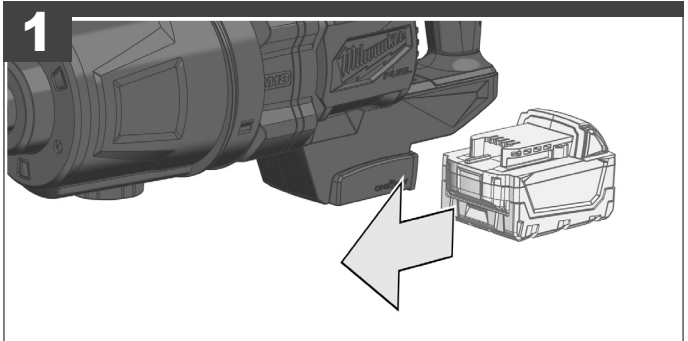
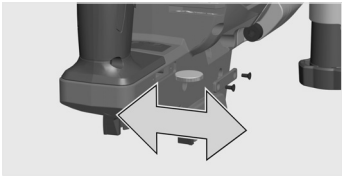
อุปกรณ์เสริม - ไม่ได้ให้มากับชุดเครื่องมือมาตรฐาน แต่สามารถเลือกซื้อเป็นอุปกรณ์เสริมได้

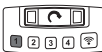





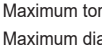
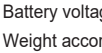
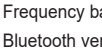
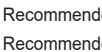
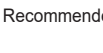
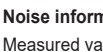
Aksesori - Tidak disertakan dalam perlengkapan standar, tersedia sebagai aksesori.

Phụ tùng - Không bao gồm trong thiết bị tiêu chuẩn, có sẵn là phụ kiện.

アクセサリ — 製品には含まれていません。別途お買い求めください。





TECHNICAL DATA	M18 ONEFHIWF1D	M18 ONEFHIWF1DS
 No-load speed	0-600 min ⁻¹	0-600 min ⁻¹
 Impact range	0-750 min ⁻¹	0-750 min ⁻¹
 Torque	1180 Nm	1180 Nm
 No-load speed	0-700 min ⁻¹	0-700 min ⁻¹
 Impact range	0-930 min ⁻¹	0-930 min ⁻¹
 Torque	1254 Nm	1254 Nm
 No-load speed	0-900 min ⁻¹	0-900 min ⁻¹
 Impact range	0-1200 min ⁻¹	0-1200 min ⁻¹
 Torque	1966 Nm	1966 Nm
 No-load speed	0-1200 min ⁻¹	0-1200 min ⁻¹
 Impact range	0-1440 min ⁻¹	0-1440 min ⁻¹
 Torque	2576 Nm	2576 Nm
Maximum torque	2711 Nm	2711 Nm
Maximum diameter bolt / nut	M48	M48
Battery voltage	18 V	18 V
Weight according to EPTA-Procedure 01/2014 (12 Ah)	12.34 kg	11.34 kg
Frequency band(s) of Bluetooth	2400-2483.5 MHz	2400-2483.5 MHz
Bluetooth version	4.2 BT signal mode	4.2 BT signal mode
Recommended ambient operating temperature	-18 – +50 °C	-18 – +50 °C
Recommended battery types	M18B, M18HB	M18B, M18HB
Recommended charger	M12-18	M12-18

Noise information

Measured values determined according to EN 62841

A-weighted sound pressure level	101.42 dB (A)	101.42 dB (A)
Uncertainty K	3.0 dB (A)	3.0 dB (A)
A-weighted sound power level	112.42 dB (A)	112.42 dB (A)
Uncertainty K	3.0 dB (A)	3.0 dB (A)

Wear ear protectors.

Vibration information

Total vibration values (vector sum in the three axes) determined according to EN 62841

Vibration emission value a_h

Impact tightening of fasteners of the maximum capacity of the tool	26.87 m/s ²	26.87 m/s ²
Uncertainty K	1.50 m/s ²	1.50 m/s ²

WARNING!

The vibration and noise emission level given in this information sheet has been measured in accordance with a standardized test given in EN 62841 and may be used to compare one tool with another. It may be used for a preliminary assessment of exposure.

The declared vibration and noise emission level represents the main applications of the tool. However, if the tool is used for different applications, with different accessories or poorly maintained, the vibration and noise emission may differ. This may significantly increase the exposure level over the total working period.

An estimation of the level of exposure to vibration and noise should also take into account the times when the tool is switched off or when it is running but not actually doing the job. This may significantly reduce the exposure level over the total working period.

Identify additional safety measures to protect the operator from the effects of vibration and noise, such as maintaining the tool and the accessories, keeping the hands warm, and organising work patterns.

⚠ WARNING! Read all safety warnings, instructions, illustrations, and specifications provided with this power tool. Failure to follow all instructions listed below may result in electric shock, fire and/or serious injury.

Save all warnings and instructions for future reference.

⚠ IMPACT WRENCH SAFETY WARNINGS

Hold the power tool by insulated gripping surfaces when performing an operation where the fastener may contact hidden wiring. Fasteners contacting a "live" wire may make exposed metal parts of the power tool "live" and could give the operator an electric shock.

Wear ear protectors. Exposure to noise can cause hearing loss.

ADDITIONAL SAFETY AND WORKING INSTRUCTIONS

Use protective equipment. Always wear safety glasses when working with the product. Use protective clothing, such as dust mask, protective gloves, sturdy non-slip footwear, helmet, and ear defenders.

The dust produced when using the product may be harmful to health. Do not inhale the dust. Wear a suitable dust protection mask.

Do not use the product near any materials that present a danger to health.

Turn off the product immediately if the insertion tool stalls. Do not turn on the product again while the insertion tool is stalled, as doing so could trigger a sudden recoil with a high reactive force. Determine why the insertion tool stalled and rectify this, paying heed to the safety instructions.

The possible causes may be:

- The insertion tool is tilted in the workpiece to be machined.
- The insertion tool has pierced through the material to be machined.
- The product is overloaded.

Do not reach into the product while it is running.

The insertion tool may become hot during use.

WARNING! Danger of burns

- when changing products
- when setting the product down

Chips and splinters must not be removed while the product is running.

When working on walls, ceiling, or floor, take care to avoid electric cables and gas or water pipes.

Clamp your workpiece with a clamping device. Unclamped workpieces can cause severe injury and damage.

Remove the battery pack before starting any work on the product.

Do not dispose of used battery packs in the household refuse or by burning them. MILWAUKEE distributors offer to retrieve old batteries to protect our environment.

Do not store the battery pack together with metal objects (short circuit risk).

Use only M18 System chargers for charging M18 System battery packs. Do not use battery packs from other systems.

Never break open battery packs and chargers, and store them only in dry rooms. Keep battery packs and chargers dry at all times.

Battery acid may leak from damaged batteries under extreme load or extreme temperatures. In case of contact with battery acid, wash it off immediately with soap and water. In case of eye contact, rinse thoroughly for at least 10 minutes and immediately seek medical attention.

⚠ WARNING! The product contains a lithium button or coin cell battery. A new or used battery can cause severe internal burns and can lead to death in as little as 2 hours if swallowed or enters the body. Always secure the battery cover. If it does not close securely, stop using the product, remove the batteries, and keep it away from children. If you think the batteries may have been swallowed or entered the body, seek immediate medical attention.

ADDITIONAL BATTERY SAFETY WARNINGS

⚠ WARNING! To reduce the risk of fire, personal injury, and product damage due to a short circuit, never immerse your tool, battery pack, or charger in fluid or allow fluid to flow inside them. Corrosive or conductive fluids, such as seawater, certain industrial chemicals, and bleach or bleach-containing products, etc., can cause a short circuit.

SPECIFIED CONDITIONS OF USE

The cordless impact wrench can be used to tighten and loosen nuts and bolts wherever no mains connection is available.

Do not use the product for any other purpose.

OPERATION

NOTE: After fastening, always check the torque with a torque wrench.

The fastening torque is affected by a wide variety of factors including the following:

- Battery charge - When the battery is discharged, the voltage drops, and the torque fastening is reduced.
- Operating speed - Operating the product at low speeds cause a reduction in torque fastening.
- Fastening position - Holding the product or the driving fastener in various angles affects the torque.
- Drive accessory/socket - Using an incorrect accessory or socket size, or a non-impact rated accessory may cause a reduction in the torque fastening.
- Accessories and extensions - Depending on the accessory or extension, fitment can reduce the fastening force of the impact wrench.
- Bolt or Nut - Fastening torques may differ according to the diameter, class, or length of the nut or bolt.
- Condition of the fastener - Contaminated, corroded, dry or lubricated fasteners may vary the fastening torques.
- Condition and base material - The base material of the fastener and any component in between the surfaces may affect the fastening torque (dry or lubricated base, soft or hard base, disc, seal, or washer between fastener and base material).

IMPACTING TECHNIQUES

The longer a bolt, screw, or nut is impacted, the tighter it becomes.

To help prevent damaging the fasteners or workpieces, avoid excessive impacting.

Be particularly careful when impacting smaller fasteners because they require less impacting to reach optimum torque.

Practice with various fasteners, noting the length of time required to reach the desired torque.

Check the tightness with a hand-torque wrench.

If the fasteners are too tight, reduce the impacting time.

If they are not tight enough, increase the impacting time.

Oil, dirt, rust, or other matter on the threads or under the head of the fastener affects the degree of tightness.

The torque required to loosen a fastener averages 75% to 80% of the tightening torque, depending on the condition of the contacting surfaces.

On light gasket jobs, run each fastener down to a relatively light torque and use a hand-torque wrench for final tightening.

DRIVE CONTROL

The drive control button is used to adjust the torque, rotation speed (RPM), and impact speed (IPM) for the application.

To select the drive control mode:

1. Pull and release the trigger to turn on the product. The current mode indicator is lit.
2. Press the drive control button to cycle through the modes. When the desired mode indicator is lit, begin work.

NOTE: Select the torque range in accordance with the equipment manufacturers fastening instructions.

For precision applications, confirm the final tightening torque with a calibrated device.

BATTERIES

Battery packs that have not been used for some time should be recharged before use.

Temperatures in excess of 50°C reduce the performance of the battery pack. Avoid extended exposure to heat or sunshine (risk of overheating).

The contacts of chargers and battery packs must be kept clean.

For an optimum lifetime, the battery packs must be fully charged after use.

To obtain the longest possible battery life, remove the battery pack from the charger after it is fully charged.

For battery pack storage longer than 30 days:

- Store the battery pack where the temperature is below 27°C and away from moisture.
- Store the battery packs in a 30% – 50% charged condition.
- Every six months of storage, charge the pack as normal.

BATTERY PACK PROTECTION LI-ION BATTERY

In extremely high torque, binding, stalling, and short circuit situations that cause high current draw, the product vibrates for about 2 seconds and then the product turns off. To reset, release the trigger. Under extreme circumstances, the internal temperature of the battery could become too high. If this happens, the battery shuts down. Charge the battery pack and reset it.

TRANSPORTING LITHIUM BATTERIES

Lithium-ion batteries are subject to the Dangerous Goods Legislation requirements.

Transportation of those batteries has to be done in accordance with local, national, and international provisions and regulations.

- Batteries can be transported by road without further requirements.
- Commercial transport of lithium-ion batteries by third parties is subject to Dangerous Goods regulations. Transport preparation and transport are exclusively to be carried out by appropriately trained persons and the process has to be accompanied by corresponding experts.

When transporting batteries:

- Ensure that battery contact terminals are protected and insulated to prevent short circuit.
- Ensure that the battery pack is secured against movement

within packaging.

- Do not transport batteries that are cracked or leaking.

Check with the forwarding company for further advice.

MAINTENANCE

Use only MILWAUKEE accessories and spare parts. Should components that have not been described need to be replaced, contact one of our MILWAUKEE service agents (see our list of guarantee/service addresses).

If needed, an exploded view of the product can be ordered. State the product type and the serial number on the label, and order the drawing at your local service centres.

SYMBOLS



CAUTION! WARNING! DANGER!



Remove the battery pack before starting any work on the product.



Read the instructions carefully before starting the product.



Do not swallow the coin cell battery.

η_0

No-load speed

IPM

Impact range

V

Volts



Direct current



Do not dispose of electric tools, batteries/rechargeable batteries together with household waste material. Electric tools and batteries that have reached the end of their life must be collected separately and returned to an environmentally compatible recycling facility. Check with your local authority or retailer for recycling advice and collection point.

IMDA CONFORMITY

Complies with
IMDA Standards
DA107248

M18 ONEFH1W1D NTC CONFORMITY

 **NTC**
Type Accepted
No.: ESD-RCE-2127811





M18 ONEFH1W1DS NTC CONFORMITY

 **NTC**
Type Accepted
No.: ESD-RCE-2127812

技術數據

M18 ONEFH1WF1D

M18 ONEFH1WF1DS

	無負載轉速	0-600 rpm	0-600 rpm
	衝擊率	0-750 ipm	0-750 ipm
	扭力	1180 Nm	1180 Nm
	無負載轉速	0-700 rpm	0-700 rpm
	衝擊率	0-930 ipm	0-930 ipm
	扭力	1254 Nm	1254 Nm
	無負載轉速	0-900 rpm	0-900 rpm
	衝擊率	0-1200 ipm	0-1200 ipm
	扭力	1966 Nm	1966 Nm
	無負載轉速	0-1200 rpm	0-1200 rpm
	衝擊率	0-1440 ipm	0-1440 ipm
	扭力	2576 Nm	2576 Nm
	最大扭力	2711 Nm	2711 Nm
	螺栓/螺母的最大直徑	M48	M48
	電池電壓	18 V	18 V
	根據EPTA-Procedure 01/2014的重量 (12 Ah)	12.34 kg	11.34 kg
	藍牙頻段	2400-2483.5 MHz	2400-2483.5 MHz
	藍牙版本	4.2 BT 信號模式	4.2 BT 信號模式
	建議環境操作溫度	-18 - +50 ° C	-18 - +50 ° C
	推薦的電池類型	M18B, M18HB	M18B, M18HB
	推薦充電器	M12-18	M12-18

噪音資訊

依 EN 62841 所測的測量值。

A加權聲壓量	101.42 dB (A)	101.42 dB (A)
不確定性的測量 K=	3.0 dB (A)	3.0 dB (A)
A加權聲功率級	112.42 dB (A)	112.42 dB (A)
不確定性的測量 K=	3.0 dB (A)	3.0 dB (A)

佩戴護耳器。

震動資訊

依EN 62841所測的震動總值 (三軸向量總和)。

震動釋放值 a_h

工具衝擊收緊固件的最大承載能力	26.87 m/s ²	26.87 m/s ²
不確定性的測量 K=	1.50 m/s ²	1.50 m/s ²

警告！

本說明書所提供的震動等級是依EN 62841規定的標準化測試所測得，且可能用於與另一個工具進行比較。該等級可用來初步評估風險。

宣告的震動釋放等級代表的是本工具的主要應用。然而，如果用於不同的應用、使用不同的配件或保養不當，震動釋放也可能不同。這可能會在總工作時間上顯著增加風險等級。

評估震動暴露的等級還應考慮本工具關機時的時間，或當工具運轉但卻未實際使用的時間。這可能會明顯降低總工作期間的風險等級。

請確認額外的安全措施，以保護操作員不受震動的影響，例如：保養本工具與配件、保持手部溫暖和井然有序的工作方式。

警告！ 閱讀本產品隨附的所有安全警告、說明、插圖和規格。若不按照警告和說明操作，則可能會導致觸電、火災和/或嚴重傷害。

將所有警告和說明保存好，方便以後查閱。

▲ 衝擊扳手安全警告

在緊固件可能觸及暗線或其自身軟線之處進行操作時，要通過絕緣握持面來握持工具。緊固件碰到帶電導線會使工具外露的金屬零件帶電從而使操作受到電擊。

佩戴耳罩。暴露在噪聲中可能會導致聽力受損。

其他安全和工作說明

使用防護裝備。使用機器時，務必佩戴護目鏡。建議穿戴防護裝備，例如防塵罩、防護手套、堅固防滑的鞋具、安全帽和護耳器。

使用此工具時產生的粉塵可能會影響健康。切勿吸入粉塵。戴上適當的防塵罩。

切勿加工可能會影響健康的材料。

如果插入工具停止轉動，則立即關閉設備。插入工具停止轉動時，切勿重新啟動設備，否則可能會導致突然後退，產生較大的反作用力。確定插入工具停止轉動的原因並及時解決，同時注意安全說明。

停止轉動可能的原因包括：

- 它在待加工工件內傾斜；
- 它穿透了待加工材料；
- 電動工具過載。

機器運行時，切勿伸入它的內部。

使用過程中，施工中的工具會發熱。

警告！ 灼傷的危險：

- 更換工具及
- 放下產品時。

當機器仍在運轉時，切勿清除機器上的木屑或金屬碎片。

在牆壁、天花板或地板上作業時，注意避開電線、燃氣或自來水管道。

使用夾緊裝置固定好工件。未夾緊的工件可能會導致嚴重傷害和損傷。

對產品進行任何工作前，先移除電池。

勿將用過的電池組與家庭廢棄物混合或燃燒電池。MILWAUKEE 經銷商提供舊電池回收，以保護我們的環境。

勿將電池組與其他金屬物品一起存放（可能引起短路）。

僅可使用M18系統充電器對M18系統電池進行充電。請勿使用其他系統的電池。

不可拆開電池和充電器。電池和充電器必須儲藏在乾燥的空間，勿讓濕氣滲入。必須經常保持乾燥。

在極端負載或極端溫度下，損壞的電池可能漏出內部酸液。若碰觸到電池酸液，請即刻用肥皂與清水洗去。若酸液接觸到眼睛，以清水沖洗至少10分鐘後立即就醫。

警告！ 本產品包含一個鈕扣型/鈕扣式鋰電池。一個新的或已使用的電池均可能導致嚴重的內部灼傷。如果吞嚥或進入身體，可在短短2小時內導致死亡。務必固定電池蓋。如果沒有牢固關閉，請停止使用產品，取出電池，並將其遠離兒童。如果您認為電池可能已經吞嚥或進入人體，請立即就醫。

附加電池安全警告

警告！ 為了減少因短路而導致火災、人身傷害和產品損壞的風險，請勿將工具、電池組或充電器浸沒在液體中或使液體流入其中。腐蝕性或導電性液體（如海水、某些工業化學品、

以及漂白劑或含漂白劑的產品等）都會導致短路。

特定使用條件

本產品可於沒有電源連接的地方擰緊和鬆開螺母和螺栓。

切勿將本產品用於正常使用之外的其他用途。

操作

注意：固定後，請務必用扭矩扳手檢查扭矩。

緊固扭矩受多種因素影響，包括以下因素：

- 電池充電-電池放電後，電壓下降，扭矩緊固會降低。
- 運行速度-以低速運行產品會降低扭矩緊固。
- 固定位置-以不同角度握住產品或驅動緊固件會影響扭矩。
- 驅動器附件/插槽-使用不正確的附件或插槽尺寸，或未受衝擊的附件可能會導致扭矩緊固降低。
- 附件和擴展件-根據附件或擴展件的不同，配件會降低衝擊扳手的緊固力。
- 螺栓或螺母-緊固扭矩可能會根據螺母或螺栓的直徑、類別或長度而有所不同。
- 緊固件的狀況-污染、腐蝕、乾燥或潤滑的緊固件可能會改變緊固扭矩。
- 條件和基礎材料-緊固件的基礎材料以及表面之間的任何組件都可能影響緊固扭矩（乾或潤滑的基礎材料、乾或硬的基礎材料、在緊固件及基礎材料之間的圓盤、密封件或墊圈）。

衝擊技術

螺栓、螺釘或螺母受衝擊的時間越長，則擰得越緊。

為避免損壞緊固件或工件，請避免過度衝擊。

衝擊較細小的緊固件要格外小心，因為它們需要較小的衝擊才能達到最佳扭矩。

熟習各種緊固件，注意達到所需扭矩的時間。

用手動扭矩扳手檢查密封性。

如果緊固件太緊，可以縮短衝擊時間。

如果它們不夠緊，請增加衝擊時間。

緊固的程度受螺紋上或緊固件頭部下方的油污、髒物、鏽蝕或其他物質影響。

取決於接觸表面的情況，鬆開緊固件所需的扭矩平均為擰緊扭矩的75%至80%。

在輕型墊圈工作中，將每個緊固件下降到相對較小的扭矩，然後以扭矩扳手作最終擰緊。

驅動控制

驅動器控制按鈕用於調整應用程序的轉速（RPM）及衝擊速度（IPM）。

如要選擇驅動控制模式：

1. 拉動並釋放扳機以啟動產品。當前模式的指示燈會亮起。
2. 按下驅動控制按鈕以循環切換模式。當所需模式的指示燈亮起時，開始工作。

注意：根據設備製造商的緊固件說明，選擇扭矩的範圍。

關於精密的應用，以校準設備確定最後的擰緊扭矩。

電池

久未使用的電池必須重新充電後再使用。

超過50°C的高溫會降低電池的效能。避免暴露於高溫或陽光下（可能導致過熱）。

充電器和電池組的接點處應保持清潔。

為確保最佳電池使用壽命，電池組使用後應再完全充電。

為確保電池的最長壽命，充電完成後，勿將電池匣繼續留在充電器上。

電池儲存時間長於30日：

- 將電池組存放於溫度低於27° C的環境，且避免受潮；
- 將電池組保持在充電量30%-50%的狀態；
- 存放中的電池組應每六個月照常充電一次。

電池保護

在極高的扭矩、結合、停滯和引起高電流消耗短路的情況下，產品將振動約2秒，然後產品將關閉。如要重置，鬆開扳機。在極端情況下，電池組內部的溫度可能變高。將電池放在充電器上，以充電和重置。

運輸鋰電池

鋰離子電池須受制於危險品法例的要求。

運送鋰電池必須在符合當地、國家及國際標準及法例的情況下進行。

- 使用者可於陸地上運送電池而毋須受限；
- 第三方負責的商業式鋰電池運送須受制於危險品法例。運送的預備及過程必須由受嚴格訓練的人士進行，亦必須得到專家在場監管。

運送電池時：

- 請確保電池接觸終端受到嚴密保護及經過絕緣，防止短路；
- 請確保電池組妥善包裝，防止碰撞磨擦；
- 切勿運送有裂痕或洩漏中的電池。

與速遞公司緊密聯繫以獲得進一步資訊。

維護

只可使用MILWAUKEE的配件和零件。如果需要更換的組件在此沒有介紹，請與其中一個MILWAUKEE服務代理機構聯繫（參見我們的維修/服務地址列表）。

如果需要機器的分解圖，可以向您的顧客服務中心查詢。請您向當地的顧客服務中心提供以下資料：機器銘牌上產品的號碼及機型。

符號



注意！警告！危險！



對產品進行任何工作前，先移除電池。



啟動機器前，請仔細閱讀本說明書。



不要吞下鈕扣電池。

n_0

無負載轉速

IPM

衝擊範圍



伏特

直流電

勿將用過的電動工具、電池/充電電池與家庭廢棄物混合。

當電動工具和電池達到使用壽命時，必須單獨收集，並送至環保回收機構。請與當地相關部門或經銷商聯繫，了解回收建議和收集地點。

NCC聲明

取得審驗證明之低功率射頻器材，非經核准，公司、商號或使用者均不得擅自變更頻率、加大功率或變更原設計之特性及功能。低功率射頻器材之使用不得影響飛航安全及干擾合法通信；經發現有干擾現象時，應立即停用，並改善至無干擾時方得繼續使用。前述合法通信，指依電信管理法規定作業之無線電通信。低功率射頻器材須忍受合法通信或工業、科學及醫療用電波輻射性電機設備之干擾。

技术数据	M18 ONEFH1WF1D	M18 ONEFH1WF1DS
------	----------------	-----------------



无负载转速

0-600 min⁻¹

0-600 min⁻¹



冲击率

0-750 ipm

0-750 ipm



扭力

1180 Nm

1180 Nm



无负载转速

0-700 min⁻¹

0-700 min⁻¹



冲击率

0-930 ipm

0-930 ipm



扭力

1254 Nm

1254 Nm



无负载转速

0-900 min⁻¹

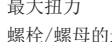
0-900 min⁻¹



冲击率

0-1200 ipm

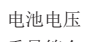
0-1200 ipm



扭力

1966 Nm

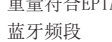
1966 Nm



无负载转速

0-1200 min⁻¹

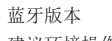
0-1200 min⁻¹



冲击率

0-1440 ipm

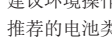
0-1440 ipm



扭力

2576 Nm

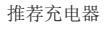
2576 Nm



最大扭力

2711 Nm

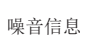
2711 Nm



螺栓/螺母的最大直径

M48

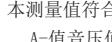
M48



电池电压

18 V

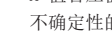
18 V



重量符合EPTA-Procedure 01/2014(12 Ah)

12.34 kg

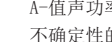
11.34 kg



蓝牙频段

2400-2483.5 MHz

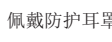
2400-2483.5 MHz



蓝牙版本

4.2 BT 信号模式

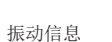
4.2 BT 信号模式



建议环境操作温度

-18 - +50 ° C

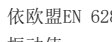
-18 - +50 ° C



推荐的电池类型

M18B, M18HB

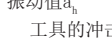
M18B, M18HB



推荐充电器

M12-18

M12-18



噪音信息

本测量值符合EN 62841条文的規定。

A-值音压值

101.42 dB (A)

101.42 dB (A)

不确定性的测量 K=

3.0 dB (A)

3.0 dB (A)

A-值声功率值

112.42 dB (A)

112.42 dB (A)

不确定性的测量 K=

3.0 dB (A)

3.0 dB (A)

佩戴防护耳罩

振动信息

依欧盟EN 62841标准确定的振动总值（三方向矢量和）。

振动值a_n

工具的冲击紧固紧固件的最大承载能力

26.87 m/s²

26.87 m/s²

不确定性的测量 K=

1.50 m/s²

1.50 m/s²

警告！

本规程列出的依欧盟EN 62841标准测量方法测量的振动级也可用于电动工具比较并适合于临时振动负荷估计。该等级可用于初步评估风险。

该振动级代表电动工具的主要应用。电动工具的其他应用，不正确的工具附件或欠缺维护可造成振动级偏差。此可明显提高工作期间的振动程度。

正确地估计一定工作期间的振动程度也要考虑到工具关闭或接通而不使用的期间。此可明确减少总工作期间的振动程度。

为提高操作人员对振动作用的保护得规定补充安全措施：电动工具及工具附件的维护、温手、工作过程组织等。

警告！ 阅读本产品随附的所有安全警告、说明、插图和规格。不遵照以下说明会导致电击、着火和/或严重伤害。保存所有警告和说明书以备查阅。

冲击扳手安全警告

在紧固件可能触及暗线或其自身软线之处进行操作时，要通过绝缘握持面来握持工具。紧固件碰到带电导线会使工具外露的金属零件带电从而使操作者受到电击。

佩戴耳罩。暴露在噪声中可能会导致听力受损。

其他安全和工作说明

使用防护装备。使用机器时，务必佩戴护目镜。建议穿戴防护装备，例如防尘罩、防护手套、结实的防滑鞋、安全帽和护耳器。

使用此工具时产生的粉尘可能会影响健康。切勿吸入粉尘。戴上适当的防尘罩。

切勿加工可能会影响健康的材料（例如石棉）。

如果插入工具停止转动，则立即关闭设备。插入工具停止转动时，切勿重新启动设备，否则可能会导致突然后退，产生较大的反作用力。确定插入工具停止转动的原因并及时解决，同时注意安全说明。

插入工具停止转动可能的原因包括

- 它在待加工工件内倾斜；
- 它穿透了待加工材料；
- 电动工具过载。

机器运行时，切勿伸入它的内部。

使用过程中，施工中的工具会发热。

警告！ 有灼伤的危险：

- 更换工具及
- 放下产品时。

当电动工具仍在运转，切勿清除其上的木屑或金属碎片。

在墙壁、天花板或地板上作业时，注意避开电线、燃气或自来水管。

使用夹紧装置固定好工件。未夹紧的工件可能会导致严重伤害和损伤。

在产品上开始任何工作之前，请先取出电池组。

用过的电池组不可以丢入火中或一般的家庭垃圾中。美沃奇经销商提供旧电池回收，以保护我们的环境。

电池组不可以和金属物体存放在一起（可能产生短路）。

M18系列的电池组只能和M18系列的充电器配合使用。不可以使用其他系列的电池。不可拆开电池和充电器。电池和充电器必须储藏在干燥的空间，勿让湿气渗入。必须经常保持干燥。

在过度超荷或极端的温度下，可能从损坏的电池组中流出液体。如果触摸了此液体，必须马上使用肥皂和大量清水冲洗。如果此类液体侵入眼睛，马上用清水彻底清洗眼睛（冲洗至少10分钟），接着即刻就医治疗。

警告！ 本产品包含一个钮扣型/钮扣式锂电池。一个新的或二手的电池可能导致严重的内部灼伤。如果吞咽或进入身体，可在短短2小时内导致死亡。务必固定电池盖。如果没有牢固关闭，请停止使用产品，取出电池，并将其远离儿童。如果您认为电池可能已经吞咽或进入人体，请立即就医。

附加电池安全警告

警告！ 为了减少因短路而导致火灾、人身伤害和产品损坏的风险，请勿将工具、电池组或充电器浸没在流体中或使流体流入其中。腐蚀性或导电性流体（如海水、某些工业化学品、以及漂白剂或含漂白剂的产品等）都会导致短路。

特定使用条件

本产品可于没有连接市电情况下拧紧和松开螺母和螺栓。切勿将本产品用于正常使用之外的其他用途。

操作

注意：固定后，请务必用扭矩扳手检查扭矩。

紧固扭矩受多种因素影响，包括以下因素：

- 电池充电-电池放电后，电压下降，扭矩紧固会降低。
- 运行速度-以低速运行产品会降低扭矩紧固。
- 固定位置-以不同角度握住产品或驱动紧固件会影响扭矩。
- 驱动器附件/插槽-使用不正确的附件或插槽尺寸，或未受冲击的附件可能会导致扭矩紧固降低。
- 附件和扩展件-根据附件或扩展件的不同，配件会降低冲击扳手的紧固力。
- 螺栓或螺母-紧固扭矩可能会根据螺母或螺栓的直径、类别或长度而有所不同。
- 紧固件的状况-污染、腐蚀、干燥或润滑的紧固件可能会改变紧固扭矩。
- 条件和基础材料-紧固件的基础材料以及表面之间的任何组件都可能影响紧固扭矩（干或润滑的基础材料、干或硬的基础材料、在紧固件及基础材料之间的圆盘、密封件或垫圈）。

冲击技术

螺栓、螺钉或螺母受冲击的时间越长，则拧得越紧。

为避免损坏紧固件或工件，请避免过度冲击。

冲击较细小的紧固件要格外小心，因为它们需要较小的冲击才能达到最佳扭矩。

熟悉各种紧固件，注意达到所需扭矩的时间。

用手动扭矩扳手检查密封性。

如果紧固件太紧，可以缩短冲击时间。

如果它们不够紧，请增加冲击时间。

紧固的程度受螺纹上或紧固件头部下方的油污、脏物、锈蚀或其他物质影响。

取决于接触表面的情况，松开紧固件所需的扭矩平均为拧紧扭矩的75%至80%。

在轻型垫圈工作中，将每个紧固件下降到相对较小的扭矩，然后以扭矩扳手最终拧紧。

驱动控制

驱动器控制按钮用于调整应用程序的转速（RPM）及冲击速度（IPM）。

如要选择驱动控制模式：

1. 拉动并释放扳机以启动产品。当前模式的指示灯会亮起。
2. 按下驱动控制按钮以循环切换模式。当所需模式的指示灯亮起时，开始工作。

注意：根据设备制造商的紧固件说明，选择扭矩的范围。

关于精密的应用，以校准设备确定最后的拧紧扭矩。

电池

长期储放的电池必须先充电再使用。

超过50°C 的高温会降低电池组的效能。避免暴露于高温或阳光下（可能导致过热）。

充电器和电池组的接点处应保持清洁。

为获得最长寿命，使用后应将电池充满电。
为确保最长使用寿命，充电后应将电池从充电器取出。
电池储存时间长于30日：

- 在环境温度27° C左右干燥处储存电池；
- 在百分之30至50充电状态储存电池；
- 每6个月重新充电。



勿将用过的电动工具、电池/充电电池与家庭废弃物混合。
当电动工具和电池达到使用寿命时，必须单独收集，并送至环保回收机构。
请与当地主管部门或经销商联系，了解回收建议和收集地点。

电池超载保护

在极高的扭矩、结合、停滞和引起高电流消耗短路的情况下，产品将振动约2秒，然后产品将关闭。如要重置，松开扳机。在这种情况下，电池的內部温度可能会变高。如果发生这种情况，电池将关闭。将电池放在充电器上，以充电和重置。

锂电池的运输

锂电池属于危险货品并受制于危险货品运输条例。
此电池的运输必须遵守地方、国家和国际法律规定。

- 用户在公路上运输此电池组不必遵守特殊规定；
- 锂电池的商业性运输受制于危险货品运输条例的规定。运输准备和运输必须由受过合适培训人员进行。全部过程必须由合格专业人员监督。

运输电池时必须注意到下列事项：

- 为避免短路，必须确保电池接点的保护和绝缘；
- 确保包装中的电池包不会滑动；
- 严禁运输损坏或泄漏电池。

进一步建议请联系运输商。

维护

只能使用美沃奇的附件和零件。如果需要更换的组件在此没有介绍，请与其中一个美沃奇服务代理机构联系（参见我们的保修/服务地址列表）。

若需要，您可以订购本工具的分解图。请向您的顾客服务中心提供以下资料：铭牌上机器的号码和机型。

符号



注意！警告！危险！



在产品上开始任何工作之前，请先取出电池组。



启动机器前，请仔细阅读本说明书。



不要吞下钮扣电池。

n_0

无负载转速

ipm

冲击率

V

伏特



直流电

기술 데이터

M18 ONEFHIWF1D

M18 ONEFHIWF1DS

	무부하 속도	0-600 min ⁻¹	0-600 min ⁻¹
	충격 범위	0-750 min ⁻¹	0-750 min ⁻¹
	토크 값	1180 Nm	1180 Nm
	무부하 속도	0-700 min ⁻¹	0-700 min ⁻¹
	충격 범위	0-930 min ⁻¹	0-930 min ⁻¹
	토크 값	1254 Nm	1254 Nm
	무부하 속도	0-900 min ⁻¹	0-900 min ⁻¹
	충격 범위	0-1200 min ⁻¹	0-1200 min ⁻¹
	토크 값	1966 Nm	1966 Nm
	무부하 속도	0-1200 min ⁻¹	0-1200 min ⁻¹
	충격 범위	0-1440 min ⁻¹	0-1440 min ⁻¹
	토크 값	2576 Nm	2576 Nm
	최대 토크	2711 Nm	2711 Nm
	볼트/너트 최대 직경	M48	M48
	배터리 전압	18 V	18 V
	EPTA 규정 01/2014에 따른 총량(리튬-이온 12 Ah)	12.34 kg	11.34 kg
	Bluetooth 주파수 대역	2400-2483.5 MHz	2400-2483.5 MHz
	블루투스 버전	4.2 BT 신호 모드	4.2 BT 신호 모드
	권장 주변 작동 온도	-18 - +50 °C	-18 - +50 °C
	권장 배터리 팩	M18B, M18HB	M18B, M18HB
	권장 충전기	M12-18	M12-18

소음 정보

EN 62841에 따라 판별한 측정 값.

가중치 음압 레벨	101.42 dB (A)	101.42 dB (A)
불확정성 K	3.0 dB (A)	3.0 dB (A)
가중치 음향 파워 레벨	112.42 dB (A)	112.42 dB (A)
불확정성 K	3.0 dB (A)	3.0 dB (A)

귀마개를 착용하십시오!

진동 정보

EN 62841에 따라 판별한 전체 진동 값(3개 축의 백터 합계).

진동 방출 값 a _h		
공구의 최대 용량에 대한 패스너 조임 영향력	26.87 m/s ²	26.87 m/s ²
불확정성 K	1.50 m/s ²	1.50 m/s ²

경고!

이 정보 시트에 주어진 진동 및 소음 수준은 EN 62841에 제시되어 있는 표준화된 시험 방법에 따라 측정된 것으로, 공구 간 비교에 사용할 수 있습니다. 예비 노출 평가에 이를 사용할 수도 있습니다.

여기에 표시된 진동 및 소음 방출 수준은 공구를 주 용도로 사용하면서 발생하는 수준을 나타냅니다. 하지만 공구를 다른 용도로 사용하거나, 다른 부속품과 함께 사용하거나, 부실하게 유지보수할 경우에는 진동 및 소음 방출 수준이 달라질 수 있습니다. 이는 전체 작동 시간 동안 노출 레벨을 상당히 증가시킬 수 있습니다.

진동 및 소음에 대한 노출 수준 추정에는 공구의 전원을 꺼둔 시간이나 공구를 가동하고는 있지만 실제로 작업에 사용하지 않는 시간도 고려해야 합니다. 이는 전체 작동 시간 동안 노출 레벨을 상당히 감소시킬 수 있습니다.

공구와 부속품의 유지보수, 손을 따뜻하게 유지하는 조치, 작업 패턴의 구성과 같이, 진동 및/또는 소음의 영향으로부터 작업자를 보호하기 위한 추가적인 안전 대책을 파악합니다.

⚠ 경고! 공구와 함께 제공된 제반 안전 경고, 사용 설명서, 그림 및 사양을 숙지하십시오. 아래의 지침을 따르지 않으면 전기 충격, 화재 및 중대한 부상을 초래할 수 있습니다.

항후 참조할 수 있도록 경고 문구와 설명서를 잘 보관해 두십시오.

⚠ 충격 렌치 안전 경고

패스너가 숨겨진 배선과 접촉할 수 있는 작업을 수행할 때에는 반드시 절연 처리된 손잡이 부분을 잡으십시오. 패스너가 „전기가 흐르는“ 전선에 닿으면 전동 공구의 노출된 금속 부품에 „전기가 흘러“ 작업자가 감전될 수 있습니다.

귀마개를 착용하십시오! 소음에 노출되면 청력 손상을 입을 수 있습니다.

추가적인 안전 및 작업 지침

보호 장구를 착용하십시오. 제품을 사용하여 작업 수행 시 항상 보안경을 착용하십시오. 방호복 사용이 권고됨. 예: 분진 마스크, 방호장갑, 견고하고 미끄럼 방지 신발, 헬멧, 방충장치가 공구를 사용할 때 발생하는 분진은 건강에 해로울 수 있습니다. 그러한 분진을 흡입하지 마십시오. 적합한 분진 보호 마스크를 착용하십시오.

건강에 위대한 물질 근처에서 본 장비를 사용하지 마십시오.

삽입 공구가 멈추면 즉시 장치를 끄십시오. 삽입 공구가 멈춘 상태에서 다시 장치를 켜지 마십시오. 강한 반작용력으로 갑작스럽게 반동할 수 있습니다. 삽입 공구가 왜 멈추었는지 파악하고 안전 지침에 주의해서 문제를 해결합니다.

가능한 원인:

- 기계 가공할 작업물에서 기울어져 있습니다.
- 기계 가공할 재료를 판통했습니다.
- 전동 공구가 과부하되었습니다.

기계가 작동하는 동안 손대지 마십시오.

삽입 공구는 사용 중에 매우 뜨거울 수 있습니다.

경고! 화재 위험

- 공구를 교환할 때
- 장치를 내려놓을 때

기계가 작동 중일 때 잘린 조각이나 파편을 제거하면 안 됩니다.

벽, 천장, 바닥에서 작업할 때는 전기 케이블, 가스관, 수도관을 피하도록 주의하십시오.

고정 장치로 작업물을 고정시킵니다. 작업물이 고정되지 않으면 중상 또는 파손을 일으킬 수 있습니다.

제품 사용 전, 배터리 팩을 제거하십시오.

사용된 배터리 팩을 가정용 쓰레기와 함께 폐기하거나, 태우지 마십시오. 밀워키는 환경 보호를 위해 오래된 배터리 팩을 회수하는 것을 권장합니다.

배터리 팩을 금속 물체와 함께 보관하지 마십시오(단락 회로 위험).

System M18 배터리 팩을 충전하려면 System M18 충전기만 사용하십시오. 다른 시스템의 배터리 팩을 사용하지 마십시오.

배터리 팩과 충전기를 개방하지 말고, 건조한 곳에 보관하십시오. 배터리 팩과 충전기는 항상 건조한 상태로 유지하십시오.

극심한 부하 또는 극심한 온도 조건에서 손상된 배터리로부터 배터리 산이 누출될 수 있습니다. 배터리 산과 접촉한 경우, 비눗물로 즉시 세척하십시오. 눈과 접촉할 경우, 최소 10분 동안 철저히 세정한 후 즉각적인 의료 조치를 취하십시오.

⚠ 경고! 이 장치에는 리튬 버튼/코인셀 배터리가 포함되어 있습니다. 신규 또는 중고 배터리를 삼키거나 체내로 들어갈

경우 심각한 내상을 야기하고 2시간 이내에 사망에 이를 수 있습니다. 항상 배터리 덮개를 확실히 덮으십시오. 확실히 닫히지 않을 경우 장치 사용을 중지하고 배터리를 분리한 다음, 어린이가 닿지 않는 곳에 보관하십시오. 누군가가 배터리 액을 흡입하였거나 배터리 액이 신체에 유입되었다고 생각되면 즉시 의료 조치를 취하십시오.

추가 배터리 안전 주의 사항

⚠ 경고! 단락 회로로 인한 화재, 작업자 부상 및 제품 손상 위험을 줄이려면 롤, 배터리 팩 또는 충전기를 유체에 침수시키거나 유체가 내부로 흘러들어가지 않도록 해야 합니다. 해수, 특정한 산업용 화학 물질 및 표백제 또는 표백제 함유 제품 같은 부식성 또는 전도성 유체 등은 단락 회로를 야기할 수 있습니다.

지정된 사용 조건

주 전원 연결 요소가 제공되지 않은 경우 무선 충격 렌치를 사용하여 너트와 볼트를 조이고 느슨하게 풀 수 있습니다.

다른 목적으로 제품을 사용하지 마십시오.

작동

참고: 조인 후 토크 렌치를 사용하여 항상 토크를 확인하십시오. 조임 토크는 다음을 비롯한 다양한 요소의 영향을 받습니다.

- 배터리 충전 - 배터리가 방전되면 전압이 떨어지고 조임 토크가 감소합니다.
- 작동 속도 - 저속에서 제품을 작동하면 조임 토크가 감소합니다.
- 조임 위치 - 제품이나 구동 고정구를 여러 각도로 유지하면 토크에 영향을 미칩니다.
- 구동 액세서리/소켓 - 잘못된 크기의 액세서리나 소켓 또는 충격에 영향을 받는 액세서리를 사용하면 조임 토크가 감소할 수 있습니다.
- 액세서리 및 익스텐션 - 액세서리 또는 익스텐션을 사용하여 결합하면 충격 렌치의 고정력이 감소할 수 있습니다.
- 볼트 또는 너트 - 너트 또는 볼트의 직경, 등급 또는 길이에 따라 조임 토크가 달라질 수 있습니다.
- 패스너 상태 - 오염되었거나, 부식되거나, 건조되었거나 윤활 처리된 패스너는 조임 토크를 변경시킬 수 있습니다.
- 조건 및 기본 재료 - 패스너의 기본 재료 및 표면 사이의 모든 구성 요소는 조임 토크(건조되거나 윤활 처리된 기본 재료, 연질 또는 경질 기본 재료, 디스크, 밀봉재 또는 패스너와 기본 재료 사이의 외세)에 영향을 줄 수 있습니다.

충격 기법

볼트, 나사 또는 너트를 더욱 오래 충격할 경우, 더욱 조일해집니다.

패스너 또는 작업편이 손상되지 않도록 하려면 과도한 충격을 가하지 마십시오.

각간의 충격만으로 최적의 토크값에 도달하므로 소형 패스너를 충격할 때 세심한 주의를 기울이십시오.

원하는 토크값에 도달하는 데 소요되는 시간을 기록하면서 다양한 패스너를 사용하여 연습해 보십시오.

수동 토크 렌치를 사용하여 조임 상태를 확인하십시오.

패스너가 너무 꽉 조여진 경우, 충격 시간을 줄입니다.

충분히 꽉 조여지지 않은 경우, 충격 시간을 늘립니다.

나사산이나 패스너 헤드 아래의 오염, 먼지, 녹 또는 기타 물질은 조임 정도에 영향을 미칩니다.

패스너를 느슨하게 푸는 데 필요한 토크값은 평균적으로 접촉면의 조건에 따라 조임 토크값의 75%~80%에 해당합니다. 가벼운 개스킷 작업 수행 시, 개별 패스너를 상대적으로 낮은 토크값까지 낮추고 수동 토크 렌치를 사용하여 최종적으로 조입니다.

구동 제어

구동 제어 버튼은 적용할 토크, 회전 속도(RPM), 충격 속도(IPM)의 조정에 사용됩니다.

구동 제어 모드를 선택하는 방법은 다음과 같습니다.

1. 트리거를 당겼다 놓으면 제품의 전원이 켜집니다. 현재 모드 표시등이 켜집니다.
2. 구동 제어 버튼 을(를) 눌러 선택 가능한 모드를 순서대로 살펴봅니다. 원하는 모드 표시기가 켜지면 작업을 시작합니다.

참고: 장비 제조업체의 체결 지침에 따라 토크 범위를 선택합니다.

정밀 용도의 경우, 보정된 장치로 최종 조임 토크를 확인합니다.

배터리

장시간 사용하지 않은 배터리 팩은 사용하기 전에 충전해야 합니다.

50°C를 초과하는 온도는 배터리 팩의 성능을 저하시킵니다. 열이나 햇볕에 오래 노출시키지 마십시오(과열 위험).

충전기 접점 및 배터리 팩을 청결한 상태로 유지해야 합니다.

최적의 수명을 보장하려면 사용한 후에 배터리 팩을 완전히 충전해야 합니다.

배터리 수명을 최대한 연장하려면 완전히 충전된 경우 충전기에서 배터리 팩을 제거하십시오.

30일 이상 배터리 팩을 보관하는 경우:

- 온도가 27°C 이하이며 습기가 없는 장소에 배터리 팩을 보관하십시오.
- 배터리 팩을 30% - 50% 충전된 조건으로 보관하십시오.
- 보관하지 6개월이 경과할 때마다 팩을 정상적으로 충전하십시오.

배터리 팩 보호 리튬 이온 배터리

매우 높은 토크, 바인딩, 스톨링 그리고 높은 전류가 유입되는 단락 상황에서, 공구는 약 2초 동안 진동한 다음, 전원이 꺼집니다. 재설정하려면 트리거를 해제하십시오. 극심한 환경 조건에서, 배터리 팩의 내부 온도가 급격히 상승할 수 있습니다. 이와 같은 상황이 발생 시 배터리에서 전원이 공급되지 않습니다. 배터리를 충전하고 재설정하십시오.

리튬 배터리의 운송

리튬 이온 배터리는 위험물 법을 요건의 적용을 받습니다.

이 배터리는 현지, 국내 및 국제 규정과 법규에 따라 운송해야 합니다.

- 배터리는 추가 요구 사항 없이 도로를 통해 운송할 수 있습니다.
- 제3자가 리튬 이온 배터리를 상용으로 운송할 때에는 위험물 규정의 적용을 받습니다. 운송 준비 및 운송 작업은 적절한 교육을 이수한 개인만 수행해야 하고 그 과정에 해당 전문가가 동행해야 합니다.

배터리 운송 시 :

- 배터리 접촉면을 보호 및 차단하여 합선 위험을 방지하십시오.
- 배터리 팩이 포장 내에서 움직이지 않도록 고정하십시오.

- 균열 또는 누출이 있는 배터리는 운송하지 마십시오. 추가 지침은 운송 회사에 확인하십시오.

유지 관리

MILWAUKEE 액세서리와 부속품만 사용하십시오. 언급하지 않은 구성 부품을 교체해야 하는 경우 MILWAUKEE 서비스 센터 중 한 곳에 문의하십시오(보증/서비스 주소 목록 참조). 필요 시, 제품의 분해 조립도를 주문할 수 있습니다. 라벨에 인쇄되어 있는 제품 유형과 일련 번호를 알려주고 현지 서비스 대리점에서 도면을 주문하십시오.

기호



주의! 경고! 위험!



제품 사용 전, 배터리 팩을 제거하십시오.



제품 사용 전, 설명서를 자세히 읽으십시오.



코인 셀 배터리를 입에 넣지 마십시오.

n_0

무부하 속도

IPM

충격 범위

V

전압(볼트)















직류

전동 공구, 배터리/충전식 배터리는 가정용 쓰레기와 함께 버리지 마십시오. 수명이 다한 전동 공구와 배터리는 별도로 수거하여 환경적으로 호환되는 재생 시설로 반송해야 합니다. 재활용에 관한 조건과 수거 지점에 대해서는 지방 정부당국이나 소매업자에게 확인하십시오.

ข้อมูลทางเทคนิค

M18 ONEFHIWF1D

M18 ONEFHIWF1DS

	ความเร็วโดยไม่มีภาระโหลด	0-600 min ⁻¹	0-600 min ⁻¹
	ช่วงการกระแทก	0-750 min ⁻¹	0-750 min ⁻¹
	แรงบิด	1180 Nm	1180 Nm
	ความเร็วโดยไม่มีภาระโหลด	0-700 min ⁻¹	0-700 min ⁻¹
	ช่วงการกระแทก	0-930 min ⁻¹	0-930 min ⁻¹
	แรงบิด	1254 Nm	1254 Nm
	ความเร็วโดยไม่มีภาระโหลด	0-900 min ⁻¹	0-900 min ⁻¹
	ช่วงการกระแทก	0-1200 min ⁻¹	0-1200 min ⁻¹
	แรงบิด	1966 Nm	1966 Nm
	ความเร็วโดยไม่มีภาระโหลด	0-1200 min ⁻¹	0-1200 min ⁻¹
	ช่วงการกระแทก	0-1440 min ⁻¹	0-1440 min ⁻¹
	แรงบิด	2576 Nm	2576 Nm
	ค่าสูงสุดของแรงบิด	2711 Nm	2711 Nm
	เส้นผ่าศูนย์กลางสูงสุดของสลัก/นอต	M48	M48
	แรงดันไฟแบตเตอรี่	18 V	18 V
	น้ำหนักตามขั้นตอนของ EPTA 01/2014 (Li-Ion 12 Ah)	12.34 kg	11.34 kg
	ช่วงความถี่ของบลูทูธ	2400-2483.5 MHz	2400-2483.5 MHz
	บลูทูธ เวอร์ชัน	4.2 BT โหมดสตั๊ปปูญาน	4.2 BT โหมดสตั๊ปปูญาน
	อุณหภูมิในการทำงานที่แนะนำ	-18 – +50 °C	-18 – +50 °C
	ชุดแบตเตอรี่ที่แนะนำ	M18B, M18HB	M18B, M18HB
	ชาร์จเจอร์ที่แนะนำ	M12-18	M12-18

ข้อมูลเกี่ยวกับเสียงรบกวน

ค่าที่วัดที่กำหนดตาม EN 62841

ระดับแรงดันของเสียงที่ถ่วงน้ำหนัก A	101.42 dB (A)	101.42 dB (A)
ค่า K แปรผัน	3.0 dB (A)	3.0 dB (A)
ระดับกำลังของเสียงที่ถ่วงน้ำหนัก A	112.42 dB (A)	112.42 dB (A)
ค่า K แปรผัน	3.0 dB (A)	3.0 dB (A)

โปรดสวมอุปกรณ์ป้องกันการได้ยิน

ข้อมูลเกี่ยวกับการสั่น

ค่าการสั่นสะเทือนรวม (ผลรวมเวกเตอร์ในสามแกน) ที่กำหนดตาม EN 62841

ค่าการปล่อยการสั่นสะเทือน $a_{h,r}$

ผลกระทบของการชดตัวบิดของความจุสูงสุดของเครื่องมือ	26.87 m/s ²	26.87 m/s ²
ค่า K แปรผัน	1.50 m/s ²	1.50 m/s ²

คำเตือน!

ระดับการสั่นสะเทือนและเสียงดังรบกวนที่ระบุในเอกสารข้อมูลนี้เป็นผลการวัดตามการทดสอบตามมาตรฐานใน EN 62841 และจะใช้เพื่อเปรียบเทียบเครื่องมือหนึ่งกับอีกเครื่องมือ ซึ่งอาจใช้ในการประเมินการสัมผัสแรงสั่นสะเทือนเบื้องต้น

ระดับการสั่นสะเทือนและเสียงดังรบกวนที่ระบุเป็นการแสดงถึงการใช้งานหลักของเครื่องมือ อย่างไรก็ตาม หากเครื่องมือถูกใช้งานผิดประเภท กับอุปกรณ์เสริมที่แตกต่างกัน หรือการบำรุงรักษาไม่เพียงพอ ระดับการสั่นสะเทือนและเสียงดังรบกวนอาจจะแตกต่างออกไป ซึ่งอาจเพิ่มระดับการสัมผัสแรงสั่นสะเทือนขึ้นอย่างคาดไม่ถึงระหว่างการดำเนินงานทั้งหมด

ควรพิจารณาประเมินระดับของการได้รับแรงสั่นสะเทือนและเสียงดังรบกวนเมื่อปิดเครื่องมือหรือเมื่อเปิดเครื่องมือแต่ไม่ได้ใช้งาน ซึ่งอาจลดระดับการสัมผัสแรงสั่นสะเทือนลงอย่างมากตลอดช่วงการทำงานทั้งหมด

ระบุมาตรการความปลอดภัยเพิ่มเติมเพื่อปกป้องผู้ปฏิบัติงานจากผลกระทบของการสั่นสะเทือนและ/หรือเสียงดัง เช่น การบำรุงรักษามลทินภัณฑ์และอุปกรณ์เสริม รักษามือให้อบอุ่น และจัดระเบียบการทำงาน

⚠ คำเตือน! อ่านวิธีใช้ ภาพประกอบ ข้อมูลจำเพาะ และคำเตือนด้านความปลอดภัยทั้งหมดที่หามาผลิตกัน การไม่ปฏิบัติตามคำแนะนำที่แสดงอยู่ด้านล่าง อาจทำให้เกิดไฟฟ้าช็อต เพลิงไหม้ และ/หรือการบาดเจ็บรุนแรงได้

โปรดเก็บเอกสารคำเตือนและคำแนะนำทั้งหมดเพื่อใช้อ้างอิงในอนาคต

⚠ คำเตือนเกี่ยวกับความปลอดภัยของลือคคม

จับเครื่องมือบริเวณผิวจับที่หุ้มฉนวนเมื่อปฏิบัติงานที่ตัดยัดอาจสัมผัสกับสายไฟที่ซ่อนอยู่ได้ ตัดยัดที่สัมผัสกับสายไฟที่ "มีกระแสไหลผ่าน" อาจทำให้ส่วนที่เป็นโลหะของอุปกรณ์ "มีกระแสไหลผ่าน" และอาจทำให้ผู้ใช้งานถูกไฟฟ้าช็อตได้

โปรดสวมอุปกรณ์ป้องกันการได้ยิน เสียงดังเกินไปอาจทำให้สูญเสียความสามารถในการได้ยิน

คำแนะนำเพิ่มเติมเรื่องความปลอดภัยและการใช้งาน

โปรดใช้อุปกรณ์ป้องกัน สวมแว่นตานิรภัยเสมอเมื่อทำงานกับผลิตภัณฑ์นี้ และนำที่สวมเสื้อมาใช้เพื่อการป้องกัน เช่น หน้ากากกันฝุ่น ถุงมือป้องกัน รองเท้ากันส้นที่มีความทนทาน หมวกกันน็อกและเครื่องป้องกันหู

ฝุ่นที่เกิดขณะใช้เครื่องมือนี้อาจเป็นอันตรายต่อสุขภาพ อายุสุดท้ายใจเอาฝุ่นดังกล่าวเข้าไป ให้สวมหน้ากากป้องกันฝุ่นที่เหมาะสม

อย่าใช้เครื่องจักรใกล้กับวัสดุใด ๆ ที่อาจมีอันตรายต่อสุขภาพ

ปิดเครื่องทันทีหากดอกสว่านเกิดติดขัดในวัสดุที่จะเจาะ อย่าเปิดเครื่องอีกในขณะที่ดอกสว่านยังคงติดขัดอยู่ การทำเช่นนี้อาจทำให้เครื่องสับตัดอย่างแรงเนื่องจากแรงต้าน ให้หาสาเหตุของการติดขัด และแก้ไขโดยคำนึงถึงคำแนะนำด้านความปลอดภัย

สาเหตุที่เป็นไปได้ได้แก่:

- ชิ้นงานที่จะเจาะเอียง
- เจาะทะลุผ่านวัสดุนั้นไปแล้ว
- เครื่องมือจะรับภาระมากเกินไป

ห้ามยื่นสิ่งใดเข้าไปในเครื่องขณะที่เครื่องทำงานอยู่ เครื่องมือแรกนี้อาจเกิดความร้อนระหว่างการใช้งาน

คำเตือน! ระวังอันตรายจากการเผาไหม้

- เมื่อมีการเปลี่ยนเครื่องมือ
- เมื่อติดตั้งอุปกรณ์

ห้ามปิดเศษวัสดุและสะเก็ดที่ถูกเจาะออกจากเครื่องในขณะที่เครื่องกำลังทำงานอยู่

ขณะทำงานกับฝุ่น ทราย หิน หรือพื้น โปรรเซมหรือกระจกจะถูกสายไฟ และท่อก๊าซหรือท่อน้ำ

ยึดชิ้นงานที่จะเจาะด้วยอุปกรณ์ยึด การไม่ยึดชิ้นงานนี้จะเจาะอาจทำให้ได้รับบาดเจ็บร้ายแรงหรือเกิดความเสียหายได้

ถอดชุดแบตเตอรี่ออกก่อนเริ่มการทำงานใด ๆ กับผลิตภัณฑ์

ห้ามทิ้งแบตเตอรี่ที่ใช้แล้วกับขยะครัวเรือนหรือโดยการเผาทำลาย ผู้แทนจำหน่ายของ MILWAUKEE มีข้อเสนอในการกู้คืนแบตเตอรี่เก่าเพื่อปกป้องสภาพแวดล้อมของเรา

ไม่เก็บชุดแบตเตอรี่ไว้รวมกับวัตถุอื่นที่เป็นโลหะ (เสี่ยงต่อการลัดวงจร) ชาร์จชุดแบตเตอรี่ System M18 ด้วยตัวชาร์จสำหรับ System M18 เท่านั้น อย่าใช้แบตเตอรี่จากระบบอื่น ๆ

ห้ามเปิดทำลายแบตเตอรี่และเครื่องชาร์จและเก็บไว้ในพื้นที่แห้งเท่านั้น เก็บก้อนแบตเตอรี่และอุปกรณ์ชาร์จในที่แห้งตลอดเวลา

กรดแบตเตอรี่อาจรั่วซึมจากแบตเตอรี่ที่เสียหายภายใต้อุณหภูมิสูงหรือการใช้งานที่หนักมากเกินไป หากสัมผัสกับกรดแบตเตอรี่ ให้ล้างออกทันทีด้วยน้ำสะอาด หากกรดแบตเตอรี่เข้าตา ล้างตาให้ทั่วด้วยน้ำอย่างน้อย 10 นาทีและไปพบแพทย์ทันที

⚠ คำเตือน! อุปกรณ์นี้มีแบตเตอรี่เซลล์ลิเทียมชนิดชนิดกรด/เหรียญ หากกลิ่นหรือมีแบตเตอรี่ใหม่หรือแบตเตอรี่ที่ใช้แล้วเข้าสู่ร่างกาย อาจทำให้เกิดอาการเสอรับภายในและทำให้เสียชีวิตได้ภายในเวลา 2 ชั่วโมงเป็นอย่างน้อย ปิดฝาครอบแบตเตอรี่เอาไว้ตลอดเวลา หากฝาครอบแบตเตอรี่ปิด

ไม่สนิท ให้หยุดใช้อุปกรณ์ ถอดแบตเตอรี่ออก และเก็บให้ห่างจากเด็ก หากคุณเชื่อว่ามีส่วนกลืนกินแบตเตอรี่หรือมีแบตเตอรี่เข้าสู่ร่างกาย ให้รีบพบแพทย์โดยด่วน

คำเตือนเพิ่มเติมเกี่ยวกับความปลอดภัยของแบตเตอรี่

⚠ คำเตือน! วัสดุความเสียหายในการเกิดไฟไหม้ การบาดเจ็บส่วนบุคคลและความเสียหายต่อผลิตภัณฑ์ จากการลัดวงจร อย่างจุ่มเครื่องมือ ก้อนแบตเตอรี่ หรือเครื่องชาร์จไฟลงในของเหลวหรือปล่อยให้ของเหลวซึมเข้าสู่ภายใน ของเหลวที่มีฤทธิ์กัดกร่อนหรือนำไฟฟ้าอาจก่อให้เกิดการลัดวงจรได้ เช่น น้ำทะเล สารเคมีจากอุตสาหกรรมบางชนิด และผลิตภัณฑ์ฟอกสีหรือมีส่วนผสมการฟอกสี เป็นต้น

สภาพการใช้งานที่กำหนด

ประแจไร้สายส่วนชาร์จสามารถใช้ในการขันและคลายน็อตและสลักได้ในกรณีไม่มีตัวเชื่อมเหล็ก

ห้ามใช้ผลิตภัณฑ์เพื่อวัตถุประสงค์อื่นนอกเหนือจากที่ระบุ

การปฏิบัติงาน

หมายเหตุ: ควรตรวจสอบแรงบิดด้วยประแจวัดแรงบิดเสมอหลังจากระขัน

การขันในการขันนั้นได้รับผลกระทบจากปัจจัยหลายประการ รวมถึงปัจจัยต่อไปนี้:

- การชาร์จแบตเตอรี่ – เมื่อแบตเตอรี่คายประจุ แรงดันไฟฟ้าจะลดลง และแรงบิดในการขันจะลดลง
- ความเร็วในการทำงาน – การใช้งานผลิตภัณฑ์ด้วยความเร็วต่ำจะทำให้แรงบิดในการขันลดลง
- ตำแหน่งอุปกรณ์ยึด – การถือผลิตภัณฑ์หรืออุปกรณ์ยึดในมุมต่างๆ จะมีผลต่อแรงบิด
- อุปกรณ์เสริม/ข้อกีดในการขัน – การใช้อุปกรณ์เสริมหรือข้อกีดในขนาดที่ไม่ถูกต้อง หรือใช้อุปกรณ์เสริมที่มีอัตราการใช้งานแบบไม่กระแทกอาจทำให้แรงบิดในการขันเฉลี่ยลดลงได้
- อุปกรณ์เสริมหรือส่วนขยาย – อุปกรณ์จับยึดอาจทำให้แรงขันของสว่านไฟฟ้าลดลงได้ ทั้งนี้ขึ้นอยู่กับอุปกรณ์เสริมหรือส่วนขยาย
- สลักเกลียวหรือน็อต – แรงบิดของสว่านอาจแตกต่างกันไปตามขนาดเส้นผ่านศูนย์กลาง ชนิด และความยาวของสลักเกลียวหรือน็อต
- สภาพของอุปกรณ์ยึด – อุปกรณ์ยึดที่เป็น สึกกร่อน แข็ง หรือมีน้ำมันหล่อลื่น อาจทำให้แรงบิดในการขันแตกต่างกันไป
- สภาพและวัสดุฐาน – วัสดุฐานของอุปกรณ์ยึดและส่วนประกอบใดๆ ที่อยู่ระหว่างพื้นผิวอาจส่งผลกระทบต่อแรงบิดในการขันเกลียว (ฐานแข็งหรือมีน้ำมันหล่อลื่น ฐานอ่อนหรือแข็ง รูจาน ชิล หรือประเก็นที่อยู่ระหว่างอุปกรณ์ยึดกับวัสดุฐาน)

เทคนิคการกระแทก

ยิงสลักเกลียว สกรู หรือน็อตถูกระแทกนานเท่าไร ก็ยิ่งแน่นขึ้นเท่านั้น

เพื่อช่วยป้องกันความเสียหายกับอุปกรณ์ยึดหรือชิ้นงาน ให้เสียงการกระแทกมากเกินไป

ให้ระวังเป็นพิเศษเมื่อกระแทกอุปกรณ์ยึดขนาดเล็ก เนื่องจากอุปกรณ์ต้องใช้การกระแทกน้อยกว่าเพื่อให้ได้แรงบิดที่ดีที่สุด

ฝึกฝนโดยใช้อุปกรณ์ขันเกลียวที่หลากหลาย สังเกตระยะเวลาที่ต้องใช้เพื่อให้ได้แรงบิดที่ต้องการ

ตรวจสอบความแน่นด้วยประแจแบบใช้มือ

หากขันแน่นเกินไป ให้ลดเวลาการกระแทก

ถ้ายังไม่แน่นพอ ให้เพิ่มเวลาการกระแทก

น้ำมัน ฝุ่น สนิม หรือวัตถุอื่นๆ ที่อยู่บนเกลียวหรืออยู่ใต้อุปกรณ์ขันเกลียวจะส่งผลต่อระดับความแน่น

แรงบิดที่จำเป็นต้องใช้เพื่อคลายหรือขันเกลียวอยู่ที่ 75% - 80% ของแรงบิดการขันแน่น ทั้งนี้ขึ้นอยู่กับสภาพของพื้นผิวสัมผัส

ในงานที่ใช้ประเก็นแบบเบา ให้ใช้อุปกรณ์ยึดแต่ละตัวด้วยแรงบิดค่อนข้าง

น้อย และใช้ประแจแบนขันด้วยมือเพื่อขันให้แน่น ในขั้นสุดท้าย

ควบคุมการขัน

ปมควบคุมไทรฟ์ใช้เพื่อปรับแรงบิด ความเร็วในการหมุน (RPM) และความเร็วในการกระแทก (IPM) สำหรับการใช้งาน

วิธีเลือกโหมดควบคุมไทรฟ์:

1. ดึงและปล่อยไกเพื่อเปิดเครื่อง ไฟแสดงโหมดปัจจุบันจะสว่างขึ้น
2. กดปุ่มควบคุมไทรฟ์เพื่อวนรอบโหมดต่างๆ เมื่อไฟแสดงโหมดที่ต้องการติด การทำงานจะเริ่มต้นขึ้น

หมายเหตุ: เลือกช่วงแรงบิดตามคำแนะนำในการจับยึดของผู้ผลิตอุปกรณ์สำหรับการใช้งานที่ต้องใช้ความแม่นยำ โปรดยืนยันแรงบิดในการขันให้แน่นขั้นสุดท้ายด้วยอุปกรณ์สอบเทียบ

แบตเตอรี่

ควรชาร์จไฟใหม่ก่อนใช้งานหากไม่ได้ใช้ชุดแบตเตอรี่เป็นเวลานาน ประสิทธิภาพของชุดแบตเตอรี่จะลดลงหากอุณหภูมิสูงกว่า 50°C หลีกเลี่ยงไม่ให้ถูกแดดหรือความร้อนเป็นเวลานาน (เสี่ยงต่อความร้อนเกิน)

ต้องหมั่นดูแลความสะอาดหน้าสัมผัสตัวชาร์จกับชุดแบตเตอรี่

เพื่อยืดอายุการใช้งาน ควรชาร์จแบตเตอรี่ให้เต็มหลังการใช้งาน

เพื่อรักษาอายุแบตเตอรี่ให้นานที่สุด ให้ถอดชุดแบตเตอรี่ออกจากตัวชาร์จเมื่อชาร์จไฟเต็ม

สำหรับชุดแบตเตอรี่ที่ต้องการเก็บไว้นานกว่า 30 วัน:

- เก็บชุดแบตเตอรี่ไว้ที่อุณหภูมิต่ำกว่า 27°C และหลีกเลี่ยงความชื้น
- เก็บชุดแบตเตอรี่ไว้ที่ประจุ 30% - 50%
- ให้ชาร์จแบตเตอรี่ตามปกติทุกหกเดือนที่เก็บ

การป้องกันชุดแบตเตอรี่ลิเทียมไอออน

ในกรณีแรงดันสูงสุด การติดขัด การหยุดชะงัก และไฟฟ้าสถิตจริงที่ก่อให้เกิดกระแสไฟแรงสูง เครื่องมือจะสันเต็อนเป็นเวลาประมาณ 2 วินาที จากนั้นเครื่องมือจะปิดการทำงาน การรีเซ็ต ปล่อยไก ภายใต้สถานการณ์รุนแรงอุณหภูมิภายในของแบตเตอรี่อาจจะสูงขึ้นได้ หากเกิดสิ่งนี้ขึ้น แบตเตอรี่ระดับ ชาร์จแบตเตอรี่และรีเซ็ต

การเคลื่อนย้ายแบตเตอรี่ลิเทียม

แบตเตอรี่ลิเทียมไอออนอยู่ภายใต้ข้อกำหนดตามกฎหมายของสินค้าอันตราย

การขนส่งแบตเตอรี่เหล่านี้ต้องกระทำตามกฎหมายและข้อบังคับของท้องถิ่น ของประเทศ และระหว่างประเทศ

- สามารถขนส่งแบตเตอรี่ทางถนนได้โดยไม่ต้องมีข้อกำหนดเพิ่มเติม
- การขนส่งแบตเตอรี่ลิเทียมไอออนเชิงพาณิชย์โดยมีต้นบุคคลอื่นต้องดำเนินการภายใต้กฎระเบียบว่าด้วยสินค้าที่มีอันตราย การเตรียมการขนส่งและการขนส่งต้องดำเนินการโดยบุคลากรที่ผ่านการฝึกอบรมมาแล้วเท่านั้น และในระหว่างดำเนินการต้องมีผู้เชี่ยวชาญที่เกี่ยวข้องคอยกำกับดูแล

เมื่อขนย้ายแบตเตอรี่:

- ตรวจสอบให้แน่ใจว่าขั้วต่อแบตเตอรี่ได้รับการปกป้องและหุ้มฉนวนเพื่อป้องกันไฟฟ้าสถิตจริง
- ตรวจสอบให้แน่ใจว่าก่อนแบตเตอรี่ได้รับการปกป้องอย่างแน่นหนาอยู่ในบรรจุภัณฑ์
- ห้ามเคลื่อนย้ายแบตเตอรี่ที่แตกหรือรั่ว

โปรดสอบถามบริษัทขนส่งหากท่านต้องการคำแนะนำเพิ่มเติม

การบำรุงรักษา

ให้ใช้อุปกรณ์เสริมและชิ้นส่วนอะไหล่ของ MILWAUKEE เท่านั้น หากจำเป็นต้องเปลี่ยนส่วนประกอบที่ไม่ได้อธิบายไว้ โปรดติดต่อศูนย์บริการของ MILWAUKEE (ดูที่รายการการรับประกันที่อยู่ของศูนย์บริการของเรา)

ท่านสามารถส่งภาพกระจายชิ้นส่วนประกอบของผลิตภัณฑ์ได้ หากต้องการโปรดระบุประเภทผลิตภัณฑ์ที่พิมพ์รวมถึงหมายเลขอนุกรมบนฉลาก และส่งชื่อเครื่องที่ตัวแทนบริการภายในท้องถิ่นของคุณ

เครื่องหมาย



ระวัง! ค่าเตือน! อันตราย!



ถอดชุดแบตเตอรี่ออกก่อนเริ่มการทำงานใด ๆ กับผลิตภัณฑ์



โปรดอ่านคำแนะนำอย่างระมัดระวังก่อนเริ่มใช้เครื่องมือ



ห้ามกั้นกั้นเชลแบตเตอรี่แบบเหรียญ

n_0

ความเร็ววัดไม่มีการไหล

IPM

ช่วงการกระแทก

V

โวลต์



กระแสตรง



อย่าทิ้งเครื่องมือไฟฟ้า แบตเตอรี่ แบตเตอรี่ชนิดชาร์จซ้ำได้รวมกับขยะในครัวเรือน ต้องทิ้งเครื่องมือไฟฟ้าและแบตเตอรี่ที่หมดอายุการใช้งานแยกต่างหากและนำไปยังสถานที่รีไซเคิลที่เป็นมิตรกับสิ่งแวดล้อม ตรวจสอบกับผู้จำหน่ายในท้องถิ่นของคุณหรือร้านค้าปลีกสำหรับคำแนะนำในการใช้เซลล์และจุดเก็บรวบรวม

หมายเหตุ




เครื่องโทรคมนาคมและอุปกรณ์นี้มีความสอดคล้องตามมาตรฐานหรือข้อกำหนดทางเทคนิคของ กสทช.



เครื่องวิทยุคมนาคมนี้ ได้รับยกเว้น ไม่ต้องได้รับใบอนุญาตให้มี ใช้ซึ่งเครื่องวิทยุคมนาคมหรือตั้งสถานีวิทยุคมนาคมตามประกาศ กสทช. เรื่อง เครื่องวิทยุคมนาคม และสถานีวิทยุคมนาคมที่ได้รับยกเว้นไม่ต้องได้รับใบอนุญาตวิทยุคมนาคม ตามพระราชบัญญัติวิทยุคมนาคม พ.ศ. 2498



nanb. | โทรคมนาคม
กำกับดูแลเพื่อประชาชน
Call Center 1200 (Insw5)

DATA TEKNIS	M18 ONEFHIWF1D	M18 ONEFHIWF1DS
 Kecepatan tanpa beban Jajaran produk Impact; Torsi	0-600 min ⁻¹ 0-750 min ⁻¹ 1180 Nm	0-600 min ⁻¹ 0-750 min ⁻¹ 1180 Nm
 Kecepatan tanpa beban Jajaran produk Impact; Torsi	0-700 min ⁻¹ 0-930 min ⁻¹ 1254 Nm	0-700 min ⁻¹ 0-930 min ⁻¹ 1254 Nm
 Kecepatan tanpa beban Jajaran produk Impact; Torsi	0-900 min ⁻¹ 0-1200 min ⁻¹ 1966 Nm	0-900 min ⁻¹ 0-1200 min ⁻¹ 1966 Nm
 Kecepatan tanpa beban Jajaran produk Impact; Torsi	0-1200 min ⁻¹ 0-1440 min ⁻¹ 2576 Nm	0-1200 min ⁻¹ 0-1440 min ⁻¹ 2576 Nm
Torsi Maksimum	2711 Nm	2711 Nm
Maks. diameter baut/mur	M48	M48
Tegangan baterai	18 V	18 V
Bobot sesuai dengan Prosedur EPTA 01/2014 (12 Ah)	12,34 kg	11,34 kg
Pita frekuensi Bluetooth	2400-2483,5 MHz	2400-2483,5 MHz
Versi Bluetooth	Mode sinyal 4,2 BT	Mode sinyal 4,2 BT
Suhu pengoperasian sekitar yang direkomendasikan	-18 – +50 °C	-18 – +50 °C
Paket baterai yang direkomendasikan	M18B, M18HB	M18B, M18HB
Pengisi daya yang direkomendasikan	M12-18	M12-18

Informasi kebisingan

Nilai terukur yang ditentukan sesuai EN 62841.

Tingkat tekanan suara tertimbang A	101,42 dB (A)	101,42 dB (A)
K Ketidakpastian	3,0 dB (A)	3,0 dB (A)
Tingkat daya suara tertimbang A	112,42 dB (A)	112,42 dB (A)
K Ketidakpastian	3,0 dB (A)	3,0 dB (A)

Pakai pelindung telinga.

Informasi vibrasi

Total nilai vibrasi (jumlah vektor di ketiga aksis) ditentukan sesuai EN 62841.

Nilai a_{hv} emisi getaran

Kekuatan pengencangan pengencang kapasitas maksimum perkakas	26,87 m/s ²	26,87 m/s ²
K Ketidakpastian	1,50 m/s ²	1,50 m/s ²

PERINGATAN!

Tingkat emisi getaran dan kebisingan yang disebutkan dalam lembar informasi ini telah diukur sesuai dengan tes standar yang ditentukan dalam EN 62841 dan dapat digunakan untuk membandingkan satu alat dengan alat yang lain. Dapat digunakan untuk penilaian pendahuluan terhadap paparan.

Tingkat emisi getaran dan kebisingan yang dinyatakan mewakili aplikasi utama alat ini. Namun jika alat ini digunakan untuk aplikasi yang berbeda, dengan aksesori yang berbeda atau tidak dirawat dengan baik, getaran dan emisi kebisingan yang timbul mungkin berbeda. Hal ini dapat meningkatkan tingkat paparan secara signifikan selama periode kerja total.

Perkiraan tingkat paparan getaran dan kebisingan juga harus memperhitungkan saat-saat ketika alat dimatikan atau dinyalakan tetapi tidak benar-benar melakukan pekerjaan. Hal ini dapat menurunkan tingkat paparan secara signifikan selama periode kerja total.

Identifikasi langkah-langkah keselamatan tambahan untuk melindungi operator dari efek getaran, seperti merawat produk dan aksesori, menjaga tangan tetap hangat, dan mengatur pola kerja.

⚠ PERINGATAN! Baca semua peringatan keselamatan, petunjuk, ilustrasi, dan spesifikasi yang disertakan bersama produk. Tidak dipatuhinya semua petunjuk di bawah ini, dapat berakibat sengatan listrik, kebakaran, dan/atau cedera parah.

Simpan semua peringatan dan petunjuk sebagai referensi sewaktu-waktu.

⚠ PERINGATAN KESELAMATAN KUNCI HENTAM

Pegang alat listrik dengan permukaan genggam berinsulasi, saat melakukan pengoperasian di mana pengencang mungkin bersentuhan dengan perkabelan tersembunyi. Pengencang yang bersentuhan dengan kabel "yang teraliri daya" mungkin membuat komponen logam alat listrik terekspos menjadi "teraliri daya" dan dapat menimbulkan sengatan listrik bagi operator.

Pakai pelindung telinga. Berada di lingkungan yang bising dapat menyebabkan gangguan pendengaran.

PETUNJUK KESELAMATAN DAN KERJA TAMBAHAN

Gunakan peralatan pelindung. Selalu kenakan kaca mata pelindung saat bekerja menggunakan produk ini. Dianjurkan memakai pakaian pelindung, seperti masker debu, sarung tangan pelindung, sepatu alas karet yang kokoh, helm, dan pelindung telinga.

Debu yang timbul saat menggunakan alat ini dapat membahayakan kesehatan. Jangan menghirup debu. Pakai masker pelindung debu yang tepat.

Jangan gunakan mesin di dekat bahan yang menimbulkan bahaya kesehatan.

Segera matikan perangkat jika alat insersi macet. Jangan nyalakan dulu perangkat saat alat insersi masih macet, karena dapat memicu hentakan kuat dengan kekuatan reaktif tinggi. Pastikan penyebab alat insersi macet dan perbaiki ini, dengan mengacu pada petunjuk keselamatan.

Kemungkinan penyebabnya adalah:

- bahan kerja yang akan dikerjakan posisinya miring
- Alat tersangkut di bahan yang akan dikerjakan
- Alat listrik kelebihan beban

Jangan menjangkau mesin saat sedang beroperasi.

Alat sisipan dapat menjadi panas selama penggunaan.

PERINGATAN! Bahaya luka bakar

- ketika mengganti peralatan
- ketika menurunkan perangkat

Chip dan splinter tidak boleh dilepas saat mesin sedang beroperasi.

Saat bekerja di plafon atau lantai, hati-hati untuk hindari kabel listrik dan saluran pipa gas serta air.

Jepit bahan kerja Anda dengan perangkat jepit. Bahan kerja yang tidak dijepit dapat menyebabkan cedera dan kerusakan parah.

Lepaskan paket baterai sebelum memulai pekerjaan apa pun pada produk.

Jangan membuang unit baterai bekas dalam sampah rumah tangga atau membakarnya. Distributor MILWAUKEE menawarkan untuk mengambil baterai lama guna melindungi lingkungan kita.

Jangan menyimpan paket baterai bersama benda logam (risiko arus pendek).

Hanya gunakan pengisi daya System M18 untuk mengisi daya paket baterai System M18. Jangan menggunakan unit baterai dari sistem lain.

Jangan sekali-kali membuka unit baterai dan pengisi daya serta hanya simpan di tempat kering. Jaga kemasan baterai dan pengisi daya tetap kering di sepanjang waktu.

Asam baterai dapat merembes dari baterai yang rusak akibat beban atau suhu yang ekstrem. Jika asam baterai mengenai Anda, segera cuci dengan sabun dan air. Jika mengenai mata, bilas sebanyak-banyaknya selama setidaknya 10 menit dan segera dapatkan penanganan medis.

⚠ PERINGATAN! Alat ini mengandung baterai sel litium berbentuk kancing/koin. Baterai baru atau bekas dapat menyebabkan luka bakar internal yang parah dan menyebabkan kematian dalam waktu 2 jam jika tertelan atau masuk ke dalam tubuh. Selalu amankan penutup baterai. Jika penutup tidak menutup dengan aman, hentikan penggunaan perangkat, lepaskan baterai, dan jauhkan dari anak-anak. Jika Anda yakin seseorang telah menelan baterai atau baterai telah masuk ke dalam tubuh dengan cara lain, segera cari bantuan medis.

PERINGATAN KESELAMATAN BATERAI TAMBAHAN

⚠ PERINGATAN! Untuk mengurangi risiko kebakaran, cedera pribadi, dan kerusakan produk akibat hubungan arus pendek, jangan pernah merendam alat, baterai atau charger Anda dalam cairan atau membiarkan cairan mengalir di dalamnya. Cairan korosif atau konduktif, seperti air laut, bahan kimia industri tertentu, dan produk pemutih atau yang mengandung pemutih, dan sebagainya, dapat menyebabkan hubungan arus pendek.

KONDISI PENGGUNAAN KHUSUS

Pembuka baut nirkabel dapat digunakan untuk mengencangkan dan mengendurkan baut apabila tidak ada sambungan listrik. Jangan menggunakan produk untuk tujuan lain.

PENGOPERASIAN

CATATAN: Setelah dikencangkan, selalu periksa torsi dengan kunci torsi.

Pengencangan torsi dipengaruhi oleh faktor yang sangat beragam, yang meliputi:

- Pengisian baterai – Ketika daya baterai menyusut, tegangan akan jatuh dan torsi pengencangan berkurang.
- Kecepatan pengoperasian – Mengoperasikan produk pada kecepatan rendah menyebabkan penurunan torsi pengencangan.
- Posisi pengencangan – Menahan produk atau pengencangan kepala pada berbagai sudut akan memengaruhi torsi.
- Aksesori kepala/soket – Menggunakan ukuran aksesori atau soket yang tidak tepat, atau aksesori golongan non-impact dapat menyebabkan penurunan torsi pengencangan.
- Aksesori dan sambungan – Tergantung pada aksesori atau sambungan, perlengkapan (fitment) dapat mengurangi daya pengencangan kunci hentam.
- Baut atau Mur – Torsi pengencangan dapat berbeda tergantung diameter, kelas dan panjang mur atau baut.
- Kondisi pengencang – Pengencang yang terkontaminasi, berkarat, kering, atau dilumasi dapat memengaruhi torsi pengencangan.

- Kondisi dan bahan dasar – Bahan dasar pengencang dan komponen lainnya yang terletak di antara permukaan dapat memengaruhi torsi pengencangan (dasar kering atau dilumasi, dasar empuk atau keras, disk, sekat, atau cincin pelat (washer) antara pengencang dan bahan dasar).

TEKNIK PENGHENTAKAN

Semakin lama baut, sekrup, atau mur dihentak maka akan semakin kuat mencengkeram.

Agar tidak terjadi kerusakan pada pengencang ataupun benda kerja, hindari penghentakan yang berlebihan.

Harap berhati-hati menghentak pengencang lebih kecil yang hanya perlu hentakan ringan agar mencapai torsi optimal.

Berlatihlah menggunakan berbagai pengencang, perhatikan waktu yang diperlukan untuk mencapai torsi yang diinginkan.

Periksa kekuatan cengkeram dengan kunci hentam tangan.

Jika pengencang terlalu kuat, kurangi waktu penghentakan.

Jika kurang kuat, tambahkan waktu penghentakan.

Minyak, debu, karat, atau materi lain pada ulir atau di bawah kepala pengencang akan memengaruhi tingkat kekuatan.

Torsi yang diperlukan untuk melonggarkan pengencang rata-rata berkisar antara 75%-80% dari torsi pengencangan, tergantung pada permukaan kontak.

Pada pekerjaan gasket yang ringan, jalankan pengencang dengan torsi ringan dan gunakan kunci torsi tangan untuk pengencangan akhir.

KENDALI PENGGERAK

Tombol kendali penggerak digunakan untuk menyesuaikan torsi, kecepatan putaran (RPM), dan kecepatan tumbukan (IPM) untuk penggunaan alat.

Untuk memilih mode kendali penggerak:

1. Tarik dan lepaskan pelatuk untuk menyalakan produk. Indikator mode saat ini menyala.
2. Tekan tombol kendali penggerak untuk mencari pilihan mode. Ketika indikator mode yang diinginkan menyala, mulailah bekerja.

CATATAN: Pilih rentang torsi sesuai instruksi penguncian dari produsen alat.

Untuk aplikasi presisi, pastikan torsi pengencangan akhir dengan perangkat yang dikalibrasi.

BATERAI

Paket baterai yang belum digunakan selama beberapa waktu harus diisi kembali dayanya sebelum digunakan.

Suhu yang melebihi 50°C akan mengurangi kinerja paket baterai. Hindari paparan berkepanjangan terhadap panas atau sinar matahari (risiko panas berlebihan).

Kontak pada pengisi daya dan paket baterai harus dijaga kebersihannya.

Untuk masa pemakaian optimal, paket baterai harus diisi dayanya hingga penuh setelah digunakan.

Untuk memaksimalkan masa pemakaian baterai, lepaskan paket baterai dari pengisi daya setelah terisi sepenuhnya.

Untuk penyimpanan paket baterai lebih dari 30 hari:

- Simpan paket baterai jika suhu berada di bawah 27°C dan jauhkan dari kelembapan.
- Simpan paket baterai dalam kondisi terisi dayanya 30% - 50%.

- Jika penyimpanan paket baterai mencapai enam bulan, isi daya baterai seperti biasa.

PERLINDUNGAN KEMASAN BATERAI - BATERAI LITIUION

Dalam kondisi torsi yang sangat tinggi, terikat, mogok, dan korsleting yang menyebabkan arus tinggi, alat akan bergetar selama sekitar 2 detik kemudian alat akan mati. Untuk menyetel ulang, lepaskan pemacu. Dalam kondisi ekstrem, suhu dalam baterai dapat meningkat. Jika hal ini terjadi, baterai akan padam. Isi daya baterai dan reset.

MENGANGKUT BATERAI LITIUION

Baterai litium-ion tunduk pada persyaratan Legislasi Barang Berbahaya.

Pengangkutan baterai ini harus dilakukan sesuai regulasi dan peraturan daerah, nasional, dan internasional.

- Baterai dapat diangkut melalui jalan darat tanpa persyaratan khusus.
- Pengangkutan komersial baterai Litium-ion oleh pihak ketiga tunduk pada peraturan Barang Berbahaya. Persiapan pengangkutan dan pengangkutan harus dilakukan oleh orang yang terlatih dan prosesnya harus didampingi oleh pakar yang terkait.

Ketika mengangkut baterai:

- Pastikan bahwa terminal kontak baterai terlindungi dan terisolasi untuk mencegah korsleting.
- Pastikan bahwa unit baterai aman dari gerakan dalam pengemasan.
- Jangan mengangkut baterai yang retak atau bocor.

Tanyakan kepada perusahaan ekspedisi untuk mendapatkan saran lebih lanjut.

PEMELIHARAAN

Gunakan hanya aksesori dan suku cadang MILWAUKEE. Jika komponen yang belum dijelaskan harus diganti, hubungi salah satu dari pusat layanan MILWAUKEE kami (lihat daftar alamat layanan/garansi kami).

Jika diperlukan, gambar pecahan komponen dapat dipesan. Sebutkan tipe produk dan nomor seri yang tertera pada label dan pesanlah gambarnya pada agen layanan setempat.

SIMBOL



PERHATIAN! PERINGATAN! BAHAYA!



Lepaskan paket baterai sebelum memulai pekerjaan apa pun pada produk.



Baca petunjuk dengan cermat sebelum memulai menggunakan produk.



Jangan menelan baterai sel koin.

n_0

Kecepatan tanpa beban

IPM

Jajaran produk Impact;

V

Volt



Arus Searah







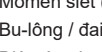
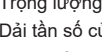
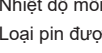
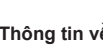
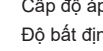
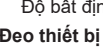
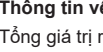
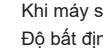
Jangan membuang alat-alat listrik, baterai/ baterai isi ulang bersama-sama dengan sampah rumah tangga. Peralatan listrik dan baterai yang telah mencapai akhir masa pakainya harus dikumpulkan secara terpisah dan dikembalikan ke fasilitas daur ulang yang kompatibel terhadap lingkungan. Tanyakan kepada pihak berwenang atau peritel setempat mengenai daur ulang dan titik pengumpulan.

M18 ONEFHIWF1D SDPPI



M18 ONEFHIWF1DS SDPPI



THÔNG SỐ KỸ THUẬT	M18 ONEFIHW1D	M18 ONEFIHW1DS
 Tốc độ không tải	0-600 min ⁻¹	0-600 min ⁻¹
 Phạm vi tác động	0-750 min ⁻¹	0-750 min ⁻¹
 Mômen xoắn	1180 Nm	1180 Nm
 Tốc độ không tải	0-700 min ⁻¹	0-700 min ⁻¹
 Phạm vi tác động	0-930 min ⁻¹	0-930 min ⁻¹
 Mômen xoắn	1254 Nm	1254 Nm
 Tốc độ không tải	0-900 min ⁻¹	0-900 min ⁻¹
 Phạm vi tác động	0-1200 min ⁻¹	0-1200 min ⁻¹
 Mômen xoắn	1966 Nm	1966 Nm
 Tốc độ không tải	0-1200 min ⁻¹	0-1200 min ⁻¹
 Phạm vi tác động	0-1440 min ⁻¹	0-1440 min ⁻¹
 Mômen xoắn	2576 Nm	2576 Nm
Momen siết (tối đa)	2711 Nm	2711 Nm
Bu-lông / đai ốc có đường kính tối đa	M48	M48
Điện áp pin	18 V	18 V
Trọng lượng theo EPTA-Procedure 01/2014 (12 Ah)	12,34 kg	11,34 kg
Dải tần số của Bluetooth	2400-2483,5 MHz	2400-2483,5 MHz
Phiên bản Bluetooth	Chế độ tín hiệu 4,2 BT	Chế độ tín hiệu 4,2 BT
Nhiệt độ môi trường khuyến nghị khi vận hành	-18 – +50 °C	-18 – +50 °C
Loại pin được khuyến nghị	M18B, M18HB	M18B, M18HB
Bộ sạc được khuyến nghị	M12-18	M12-18

Thông tin về tiếng ồn

Giá trị đo được xác định theo tiêu chuẩn EN 62841.

Cấp độ áp suất âm thanh trọng số A	101,42 dB (A)	101,42 dB (A)
Độ bất định K	3,0 dB (A)	3,0 dB (A)
Cấp độ công suất âm thanh trọng số A	112,42 dB (A)	112,42 dB (A)
Độ bất định K	3,0 dB (A)	3,0 dB (A)

Đeo thiết bị bảo vệ tai.

Thông tin về độ rung

Tổng giá trị rung chấn (tổng véc-tơ theo ba trục) được xác định theo tiêu chuẩn EN 62841.

Giá trị phát thải rung chấn a_{h}

Khi máy siết ốc với công suất tối đa	26,87 m/s ²	26,87 m/s ²
Độ bất định K	1,50 m/s ²	1,50 m/s ²

CẢNH BÁO!

Mức độ phát thải tiếng ồn và rung chấn được đưa ra trong bảng thông tin này đã được đo theo thử nghiệm chuẩn hóa nêu trong Tiêu chuẩn EN 62841 và có thể được sử dụng để so sánh với công cụ khác. Nó có thể được sử dụng để đánh giá sơ bộ về mức độ chịu tiếng ồn.

Mức phát thải tiếng ồn và rung chấn được công bố thể hiện cho ứng dụng chính của công cụ. Tuy nhiên, nếu công cụ được sử dụng cho các ứng dụng khác nhau, với các phụ kiện khác nhau hoặc được bảo dưỡng kém, thì độ rung có thể khác nhau. Điều này có thể làm tăng đáng kể mức độ chịu tiếng ồn trong tổng thời gian làm việc.

Việc ước tính mức độ tiếp xúc với tiếng ồn và rung chấn cũng cần tính đến số lần công cụ được tắt hoặc khi nó đang chạy nhưng không thực sự làm việc. Điều này có thể làm giảm đáng kể mức độ chịu tiếng ồn trong tổng thời gian làm việc.

Xác định các biện pháp an toàn bổ sung để bảo vệ người vận hành khỏi các tác động của rung chấn và tiếng ồn, như bảo trì công cụ và các phụ kiện, giữ cho tay ấm, sắp xếp các quy trình làm việc.

⚠ CẢNH BÁO! Hãy đọc tất cả các cảnh báo an toàn, hướng dẫn, hình minh họa và thông số kỹ thuật đi kèm sản phẩm này. Không tuân thủ những cảnh báo và chỉ dẫn có thể dẫn đến giật điện, hỏa hoạn và/hoặc chấn thương nghiêm trọng.

Giữ lại tất cả những cảnh báo và chỉ dẫn để tham khảo sau này.

⚠ CẢNH BÁO AN TOÀN CHO MÁY VẠN VÍT

Giữ máy bằng bề mặt cầm cách điện, khi thực hiện một thao tác trong đó ốc/vít có thể tiếp xúc với dây điện ẩn. Ốc/vít tiếp xúc với một dây điện có điện có thể dẫn điện cho các phần kim loại bị hở của máy và khiến người vận hành bị giật điện.

Đeo thiết bị bảo vệ tai. Tiếp xúc với tiếng ồn có thể gây điếc.

HƯỚNG DẪN AN TOÀN VÀ HOẠT ĐỘNG BỔ SUNG

Sử dụng thiết bị bảo hộ. Luôn đeo kính bảo vệ khi làm việc với máy. Mặc quần áo bảo hộ, ví dụ như khẩu trang chống bụi, găng tay bảo hộ, giày bảo hộ chống trượt, mũ bảo hộ, và chụp tai bảo hộ.

Bụi sinh ra khi sử dụng dụng cụ này có thể có hại cho sức khỏe. Không hít bụi. Sử dụng khẩu trang chống bụi phù hợp.

Không sử dụng sản phẩm gần các vật liệu có thể gây nguy hiểm cho sức khỏe

Tắt máy ngay lập tức nếu đầu khẩu/ socket bị kẹt. Không bật lại sản phẩm khi đầu khẩu/ socket đang bị kẹt, bởi điều này có thể kích hoạt lực bật lên với phân lực mạnh. Xác định xem tại sao đầu khẩu/ socket bị kẹt và khắc phục điều này, lưu ý đến chỉ dẫn an toàn.

Những nguyên nhân có thể là:

- Đầu khẩu/ socket bị nghiêng so với ốc/ vít được siết.
- Đầu khẩu/ socket đã xuyên qua vật liệu được gia công.
- Sản phẩm bị quá tải.

Không chạm vào máy khi máy đang chạy.

Dụng cụ lắp vào có thể nóng lên khi đang sử dụng.

CẢNH BÁO! Nguy cơ bỏng

- khi thay đổi dụng cụ
- khi đặt thiết bị xuống

Không được lấy mặt và mảnh vụn khi máy đang chạy.

Khi thao tác trên trần, hoặc sàn nhà, chú ý tránh đường dây điện và khí gas hoặc đường ống nước.

Kẹp phôi gia công của bạn bằng thiết bị kẹp. Những phôi gia công không được kẹp có thể gây ra chấn thương và hư hỏng nặng.

Tháo pin trước khi bắt đầu thao tác với sản phẩm.

Không thải bỏ các pin cũ theo rác thải sinh hoạt hoặc đốt chúng. Các nhà phân phối MILWAUKEE đề nghị được lấy lại các pin cũ để bảo vệ môi trường của chúng ta.

Không bảo quản pin cùng với vật dụng kim loại (nguy cơ ngắn mạch).

Chỉ sử dụng các bộ sạc M18 System để sạc pin M18 System. Không sử dụng pin từ các hệ thống khác.

Không bao giờ phá vỡ các bình pin và bộ sạc, và chỉ bảo quản chúng trong các phòng khô. Luôn đảm bảo các pin và bộ sạc được khô.

Axit trong pin có thể rò rỉ từ pin bị hư hại trong điều kiện nhiệt độ khắc nghiệt hoặc tải quá nặng. Nếu bị tiếp xúc với axit

trong pin, hãy rửa ngay lập tức bằng xà phòng và nước. Trong trường hợp axit tiếp xúc với mắt, hãy rửa sạch trong ít nhất 10 phút và ngay lập tức đi khám bác sĩ.

⚠ CẢNH BÁO! Sản phẩm có chứa pin lithium loại nút hoặc đồng xu. Pin mới hoặc đã qua sử dụng có thể gây bỏng bên trong nghiêm trọng và có thể dẫn đến tử vong sau ít nhất 2 giờ nếu nuốt phải hoặc nếu pin xâm nhập vào cơ thể. Luôn đậy chặt nắp pin. Nếu ngăn chứa không được đậy chặt, hãy dừng sản phẩm, tháo pin và để xa tầm tay trẻ em. Nếu bạn nghĩ rằng có thể đã nuốt phải hoặc để pin xâm nhập vào cơ thể, hãy tìm kiếm sự chăm sóc y tế ngay lập tức.

CÁC CẢNH BÁO AN TOÀN BỔ SUNG CHO PIN

⚠ CẢNH BÁO! Để giảm nguy cơ hỏa hoạn, chấn thương cá nhân và hư hại sản phẩm do ngắn mạch, không bao giờ nhúng sản phẩm, pin hay bộ sạc trong chất lỏng hoặc cho phép chất lỏng xâm nhập vào chúng. Các chất lỏng ăn mòn hoặc dẫn điện, ví dụ như nước biển, một số hóa chất công nghiệp, và chất tẩy hoặc sản phẩm chứa chất tẩy, v.v., đều có thể gây ngắn mạch.

ĐIỀU KIỆN SỬ DỤNG CỤ THỂ

Máy siết bu-lông không dây có thể được sử dụng để siết chặt và nới lỏng bu lông và đai ốc khi không có nguồn điện chính khả dụng.

Không sử dụng sản phẩm cho bất kỳ mục đích nào khác.

VẬN HÀNH

LƯU Ý: Sau khi vận chuyển, luôn luôn kiểm tra lực siết bằng cần cân lực.

Các lực siết bị ảnh hưởng bởi nhiều yếu tố bao gồm:

- Sạc pin - Khi pin được xả, điện áp giảm và giảm khả năng siết lực.
- Tốc độ hoạt động - Vận hành sản phẩm ở tốc độ thấp gây giảm khả năng siết lực.
- Vị trí siết - Giữ sản phẩm hoặc đầu khẩu/ socket ở nhiều góc độ khác nhau ảnh hưởng đến lực siết.
- Phụ kiện/lỗ bắt vít - Sử dụng kích thước phụ kiện hoặc lỗ không chính xác hoặc phụ kiện có định mức không tác động có thể làm giảm khả năng siết lực.
- Phụ kiện và bộ phận mở rộng - Tùy thuộc vào phụ kiện hoặc bộ phận mở rộng, thiết bị lắp thêm có thể làm giảm khả năng siết lực của máy siết bu-lông.
- Bu lông hoặc Đai ốc - Lực siết có thể khác nhau tùy theo đường kính, loại hoặc chiều dài của đai ốc hoặc bu lông.
- Tình trạng bu-lông - Chốt bị nhiễm bẩn, ăn mòn, bị khô hoặc được bôi trơn có thể gây ảnh hưởng đến các lực siết.
- Tình trạng và vật liệu nền - Vật liệu nền của chốt và bất kỳ bộ phận nào ở giữa các bề mặt có thể ảnh hưởng đến lực siết (nền bị khô hoặc được bôi trơn, nền mềm hoặc cứng, rỉa, phốt hoặc vòng đệm giữa chốt và vật liệu nền).

KỸ THUẬT SIẾT ỐC

Bu lông, ốc vít hoặc đai ốc được siết bằng máy càng lâu thì chúng càng chặt.

Đề tránh làm hỏng chốt hoặc tấm vật liệu, tránh siết quá mức.

Đặc biệt cần thận khi siết bu-lông nhỏ hơn vì những loại bu-lông này cần siết ít hơn để đạt được lực siết tối ưu.

Thực hiện trên các bu-lông khác nhau, lưu ý khoảng thời gian cần để đạt được lực siết mong muốn.

Dùng cờ lê siết lực bằng tay để kiểm tra độ chặt.

Nếu chốt quá chặt, hãy giảm thời gian siết.

Nếu bu-lông không đủ chặt, hãy tăng thời gian siết.

Dầu, bụi bẩn, rỉ sét, hoặc vật chất khác trên các ren hoặc dưới đầu của bu-lông sẽ ảnh hưởng đến mức độ chặt.

Lực siết cần để nối lồng bu-lông trung bình từ 75% đến 80% lực siết chặt, tùy thuộc vào tình trạng của các bề mặt tiếp xúc.

Ở những công việc có vòng đệm nhẹ, vận từng bu-lông bằng lực siết tương đối nhẹ và sử dụng cờ lê siết lực bằng tay để siết chặt lần cuối.

ĐIỀU KHIỂN SIẾT BU-LÔNG

Sử dụng nút điều khiển bắt vít để điều chỉnh lực siết, tốc độ quay (RPM) và tốc độ búa đập (IPM) để áp dụng.

Để chọn chế độ điều khiển siết bu-lông:

1. Kéo và nhả bộ khởi động để bật sản phẩm, đèn báo chế độ hiện tại sẽ sáng.
2. Nhấn nút điều khiển siết bu-lông để chuyển qua các chế độ. Khi đèn báo chế độ mong muốn được bật sáng, hãy bắt đầu làm việc.

LƯU Ý: Chọn phạm vi lực siết theo hướng dẫn siết chặt của nhà sản xuất thiết bị.

Đối với các ứng dụng cần độ chính xác, xác nhận lực siết cuối cùng bằng thiết bị đã hiệu chỉnh.

PIN

Các pin chưa được sử dụng trong một thời gian dài nên được sạc lại trước khi sử dụng.

Nhiệt độ vượt quá 50°C làm giảm hiệu năng của pin. Tránh tiếp xúc trong thời gian dài với nhiệt độ hoặc ánh nắng mặt trời (nguy cơ quá nhiệt).

Các đầu tiếp xúc của bộ sạc và pin phải được giữ sạch.

Để có tuổi thọ tối ưu, các pin phải được sạc đầy sau mỗi lần sử dụng.

Để đảm bảo tuổi thọ pin lâu nhất có thể, hãy rút pin ra khỏi bộ sạc sau khi nó được sạc đầy.

Để bảo quản pin lâu hơn 30 ngày:

- Bảo quản pin ở nơi khô, có nhiệt độ dưới 27°C.
- Bảo quản pin trong điều kiện sạc 30% - 50%
- Sau mỗi 6 tháng bảo quản, sạc pin như bình thường.

PIN LI-ION BẢO VỆ BỘ PIN

Trong các tình huống lực siết cao, kẹt, kẹt và ngắn mạch có thể tăng cường độ dòng điện, sản phẩm rung khoảng 2 giây, và sau đó tắt. Để đặt lại, hãy nhả cờ ra. Trong các tình huống khắc nghiệt, nhiệt độ bên trong của pin có thể trở nên quá cao. Nếu điều này xảy ra, pin sẽ tự ngắt. Sạc pin và khởi động lại nó

VẬN CHUYỂN PIN LITHIUM

Các pin lithium-ion cần tuân thủ Luật về Hàng hóa Nguy hiểm.

Việc vận chuyển các pin này phải được thực hiện theo các điều kiện và quy định của địa phương, quốc gia và quốc tế.

- Pin có thể được vận chuyển bằng đường bộ mà không có yêu cầu nào khác.
- Việc vận chuyển thương mại pin lithium-ion bởi các bên thứ ba cần tuân thủ quy định về Hàng hóa Nguy hiểm. Việc chuẩn bị vận chuyển và vận chuyển cần được thực hiện

bởi những người được đào tạo phù hợp và quy trình này phải được giám sát bởi các chuyên gia trong ngành.

Khi vận chuyển pin:

- Đảm bảo các đầu tiếp xúc của pin được bảo vệ và cách điện để ngăn ngắn mạch.
- Đảm bảo pin được cố định để không di chuyển trong bao bì.
- Không vận chuyển các pin bị nứt hoặc rò rỉ.

Kiểm tra với công ty chuyển tiếp để được tư vấn thêm.

BẢO TRÌ

Chỉ sử dụng các phụ kiện và phụ tùng của MILWAUKEE. Không được thay thế các thành phần theo những cách không được mô tả ở đây, vui lòng liên hệ một trong những đại lý dịch vụ MILWAUKEE của chúng tôi (xem danh sách địa chỉ bảo hành/dịch vụ của chúng tôi).

Nếu cần, có thể yêu cầu xem hình vẽ mô tả chi tiết các bộ phận. Vui lòng nêu rõ số sê-ri cũng như loại sản phẩm được in trên nhãn và yêu cầu bản vẽ tại các trung tâm dịch vụ địa phương của bạn.

BIỂU TƯỢNG



CHÚ Ý! CẢNH BÁO! NGUY HIỂM!



Tháo pin trước khi bắt đầu thao tác với sản phẩm.



Vui lòng đọc cẩn thận hướng dẫn trước khi sử dụng máy.



Không nuốt pin loại đồng xu.

n_0

Tốc độ không tải

IPM

Phạm vi nén

V

Vôn


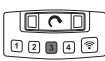


Dòng điện một chiều



Không vứt bỏ các dụng cụ điện, pin/pin có thể sạc lại cùng với rác thải sinh hoạt. Các dụng cụ điện và pin đã hết hạn sử dụng phải được thu gom riêng và đưa về một cơ sở tái chế phù hợp với môi trường. Xác nhận với chính quyền địa phương hoặc nhà bán lẻ để được tham vấn về việc tái chế và điểm thu gom.

技術データ	M18 ONEFHIWF1D	M18 ONEFHIWF1DS
-------	----------------	-----------------

	回転数	0-600 min ⁻¹	0-600 min ⁻¹
	衝撃範囲	0-750 min ⁻¹	0-750 min ⁻¹
	トルク	1180 Nm	1180 Nm
	回転数	0-700 min ⁻¹	0-700 min ⁻¹
	衝撃範囲	0-930 min ⁻¹	0-930 min ⁻¹
	トルク	1254 Nm	1254 Nm
	回転数	0-900 min ⁻¹	0-900 min ⁻¹
	衝撃範囲	0-1200 min ⁻¹	0-1200 min ⁻¹
	トルク	1966 Nm	1966 Nm
	回転数	0-1200 min ⁻¹	0-1200 min ⁻¹
	衝撃範囲	0-1440 min ⁻¹	0-1440 min ⁻¹
	トルク	2576 Nm	2576 Nm
	トルク (最大)	2711 Nm	2711 Nm
	ボルト/ナットの最大直径	M48	M48
	バッテリー電圧	18 V	18 V
	本体重量 (リチウムイオン12Ahバッテリー装着時) (EPTA 01/2014準拠)	12.34 kg	11.34 kg
	Bluetooth (ブルートゥース) の周波数帯	2400-2483.5 MHz	2400-2483.5 MHz
	高周波電力	1.8 dBm	1.8 dBm
	Bluetooth (ブルートゥース) バージョン	4.2 BT 信号モード	4.2 BT 信号モード
	推奨周囲動作温度	-18 - +50 °C	-18 - +50 °C
	推奨バッテリータイプ	M18B, M18HB	M18B, M18HB
	推奨充電器	M12-18	M12-18

騒音情報

騒音値 (EN 62841に従い測定)

A特性・音圧レベル	101.42 dB (A)	101.42 dB (A)
不確かさ K	3.0 dB (A)	3.0 dB (A)
A特性音響パワーレベル	112.42 dB (A)	112.42 dB (A)
不確かさ K	3.0 dB (A)	3.0 dB (A)

耳栓を使用してください。

振動情報

総振動値 (3軸のベクトル和) (EN 62841に従い測定)

振動放出値 a_h		
製品最大能力でのファスナー締め付け衝撃	26.87 m/s ²	26.87 m/s ²
不確かさ K	1.50 m/s ²	1.50 m/s ²

警告!

本情報シートに記載されている振動/騒音放射レベルは、EN 62841の所与の標準検査に従って測定されたものであり、ある工具と別の工具を比較するために使用することができません。暴露の予備評価にも使用できません。

公表された振動/騒音放射レベルは、工具の主な用途を表しています。ただし、工具が異なる用途に使用され、付属品が異なっている、メンテナンスが不十分であるなどの場合は、振動/騒音放射が異なる場合があります。これにより、総作業期間にわたる暴露レベルが大幅に増加する可能性があります。

振動/騒音暴露レベルの概算を出す場合、工具のスイッチが切ってある時間、または実際にジョブを実行していないが作動している時間も考慮する必要があります。これにより、総作業期間にわたる暴露レベルが大幅に減少する可能性があります。

振動/騒音の影響からオペレーターを保護するために、次のような追加安全対策を確認してください：工具と付属品のメンテナンスを行う、手を温かく保つ、作業パターンを整理する。

▲ 警告！本電動工具に同梱されているすべての安全警告、指示、図、仕様をお読みください。下記のすべての指示に従わない場合、感電や火災が発生したり、重傷を負う可能性があります。

今後の参考のために、すべての警告と指示を保存します。

▲ インパクトレンチ使用に際しての安全警告

隠し配線にファスナーが接触する可能性のある操作を行うときは、絶縁グリップ面で電動工具を支えてください。製品を使用する際に発生する粉塵は、健康に害を与える場合があります。

耳栓を使用してください。騒音にさらされると、難聴を起こすことがあります。

追加の安全上の注意事項および作業指示

保護具を使用してください。この製品で作業をするときは、必ず保護メガネを着用してください。防塵マスク、保護手袋、滑らない頑丈な履物、ヘルメット、防音具などの防護服を使用してください。

粉塵を吸い込まないでください。適切な防塵マスクを着用してください。人体に悪影響を及ぼす物質の近くで製品を使用しないでください。

挿入ツールが停止した場合は、直ちに製品の電源を切ってください。

挿入ツールが停止している間に、電源を入れ直さないでください。大きな反力が生じて突然跳ね返る恐れがあります。挿入ツールが停止した理由を特定し、安全上の注意事項に留意しながら問題を修正してください。

考えられる原因は以下のとおりです：

- 加工するワークピース内で挿入ツールが傾いている。
- 加工する材料を挿入ツールが貫通している。
- 製品が過負荷になっている。

作動中の製品には手を出さないでください。

挿入ツールは使用中に熱くなることがあります。

警告！火傷の危険

- ツールを変更するとき
- 製品を下に置くとき

製品の作動中に、切りくずや破片を取り除かないでください。

壁、天井、床で作業をする場合は、注意して電線、ガス管、水道管を避けてください。

クランプ装置でワークピースをクランプします。ワークピースをクランプしないと、重大な怪我や損傷を引き起こすことがあります。

製品のメンテナンス、アクセサリを交換する前に、バッテリーパックを取り外してください。

使用済みのバッテリーパックは家庭ゴミと一緒に廃棄したり、燃やさないでください。ミルウォーキー（MILWAUKEE）販売店では、環境保護のために古いバッテリーを回収いたします。

金属片などと一緒にバッテリーパックを保管しないでください。ショートの危険性があります。

M18システム・バッテリーの充電には、M18システムの充電器しか使用できません。別のシステムのバッテリーと混ぜて使用しないでください。

バッテリーと充電器は絶対に分解しないでください。バッテリーと充電器は湿度の低い屋内で保管してください。

極端な負荷や温度によってバッテリーが損傷し、液漏れが発

生ずる場合があります。漏れ出した液と接触した場合は、直ちに石鹸と水で洗い流してください。目に入った場合は、少なくとも10分間流水ですすいだ後、直ちに医師の診察を受けてください。

▲ 警告！製品にはボタン形またはコイン形リチウム電池が含まれます。新しい、または使用済みのバッテリーは、飲み込んだ場合、または体内に入った場合、重度の火傷を引き起こす可能性があります、わずか2時間で死に至る可能性があります。必ずバッテリーカバーを固定してください。安全に閉まらない場合は製品の使用を中止し、バッテリーを取り外して幼児の手の届かないところに保管してください。バッテリーの誤飲、または体内に入った可能性のある場合は、ただちに医師の診察を受けてください。

バッテリーに関する詳細な安全警告

▲ 警告！漏電による火災、人的損傷、製品破損のリスクを軽減するために、製品、バッテリーパック、充電器を液体に浸したり、液体を流入させたりすることは絶対にしないでください。海水、特定の工業用化学物質、漂白剤または漂白剤を含む製品などの腐食または伝導性誘導体は、漏電の原因となることがあります。

特定の使用条件

コードレスのインパクトレンチは、コンセントでの接続ができない場所でナットとボルトを締めたり緩めたりする場合に使用できません。

本製品を他の用途では使用しないでください。

操作

注意：締め付けた後は、必ずトルクレンチでトルクを確認してください。

締め付けトルクは、次のさまざまな要因による影響を受けます。

- 充電 - バッテリーが放電すると、電圧降下が発生してトルクの締め付けが低下します。
- 動作速度 - 製品を低速で動作させると、トルクの締め付けが低下する原因となります。
- 締め付け場所 - 製品や打ち込みファスナーをさまざまな角度で持つと、トルクに影響を与えます。
- 打ち込む付属品/ソケット - 間違った付属品やソケットのサイズ、またはノンインパクト定格付属品を使用すると、トルクの締め付けが低下する可能性があります。
- 付属品および延長器具 - 付属品および延長器具に応じて、金具はインパクトレンチの締め付け力を低下する可能性があります。
- ボルトまたはナット - 締め付けトルクは、直径、クラス、またはナットやボルトの長さに応じて異なる可能性があります。
- ファスナーの状態 - 汚染、腐食、乾燥、または潤滑された状態のファスナーの場合、締め付けトルクが変化する可能性があります。
- 状態および母材 - ファスナーの母材および表面の間の部品は、締め付けトルクに影響を及ぼす可能性があります（乾燥、潤滑された土台、柔らかい、または硬い土台、ディスク、シール、またはファスナーと母材間のワッシャー）。

インパクト技術

ボルト、ネジまたはナットに衝撃を与える時間が長いほど、きつく締め付けられます。

ファスナーやワークピースの損傷を防ぐため、過度に衝撃を与えないでください。

小さなファスナーに衝撃を与える場合、少ない衝撃で最適なトルクに達するので特に注意してください。

ご希望のトルクに達するまでに必要な時間に注意しながら、さまざまなファスナーで実行してください。

ハンドトルクレンチで締め付け具合を確認します。

ファスナーの締め付けがきつすぎる場合、衝撃を与える時間を減らします。

十分に締め付けられていない場合、衝撃を与える時間を増やします。

ネジ山やファスナーの先端の下にオイル、汚れ、さび、または他の原因があると、締め付け具合に影響が及びます。

ファスナーを緩めるには、接触面の状態に応じて、締め付けトルクの平均75%~80%のトルクが必要です。

簡単なガasket作業では、それぞれのファスナーを比較的低いトルクまで下げて、ハンドトルクレンチで最後の締め付けを行います。

駆動制御

駆動制御ボタンを使用して、アプリケーションのトルク、回転速度 (RPM)、衝撃速度 (IPM) を調整します。

駆動制御モードの選択：

1. 引っ張ってトリガーを解除し、製品の電源をオンにします。電流モードのインジケータが点灯します。
2. 駆動制御ボタンを押して、モードを繰り返し表示します。希望するモードのインジケータが点灯したら、作業を開始します。

注意：機器製造メーカーの締め付けの指示に従って、トルク範囲を選択してください。

精密な用途の場合、校正した装置で最終的な締め付けトルクを確認してください。

バッテリー

しばらく使用していなかったバッテリーパックは使用前に再度充電を行ってください。

50°Cを超える温度下ではバッテリーパックの性能が低下します。直射日光や高熱に長時間さらさないようにしてください (オーバーヒートの危険性があります)。

充電器とバッテリーの接点を清潔に保ってください。

最適な寿命を保つため、使用後はバッテリーパックを完全に充電してから保管してください。

バッテリー寿命を最大に保つためにバッテリーをフル充電してから充電器から取り外してください。

バッテリーパックを30日以上保管する場合：

- 温度27度未満で湿気がない場所に保管する。
- 30~50%の充電状態で保管する。
- 6ヶ月に1回、通常通りに充電する。

バッテリーパックの保護 リチウムイオンバッテリー

極めて高いトルク、ピンディング、停動、および高電流を引き起こす短絡状態では、製品は約2秒間振動してからオフになります。リセットするには、トリガーを解除してください。過酷な環境下では、バッテリー内の温度が過剰に上昇する場合があります。この場合、バッテリーはシャットダウンします。バッテリーを充電し、リセットします。

リチウムバッテリーの輸送

リチウムイオンバッテリーは、危険物規制の要件の対象となります。

このバッテリーの輸送は、地域、国、および国際的な規定および規制に従って行わなければなりません。

- バッテリーの地上輸送には、それ以上の要件はありません。
- 第三者によるリチウムイオンバッテリーの商業輸送には、危険物規制が適用されます。輸送の準備と輸送は、適切な訓練を受けた人員のみが実施し、その作業には対応する専門家の同行が必要です。

バッテリーを輸送する場合：

- バッテリーの接触端子は、漏電を防ぐために保護と絶縁の処理がされていることを確認してください。
- バッテリーパックがパッケージ内で動かないように固定されていることを確認してください。
- ひびが入ったり液漏れが発生しているバッテリーは輸送しないでください。

詳細については、運送会社に確認してください。

メンテナンス

ミルウォーキー (MILWAUKEE) の純正アクセサリーとサービスパーツをご使用ください。修理、アクセサリーに関してご不明な点がございましたら、当社並びに販売元までお問い合わせください。

必要に応じて、製品の分解立体図をご注文いただけます。製品タイプとシリアル番号をラベルにご記入のうえ、お近くのサービスセンターで分解立体図をご注文ください。

記号



注意! 警告! 危険!



製品のメンテナンス、アクセサリーを交換する前に、バッテリーパックを取り外してください。



製品の使用を開始する前に、指示を注意深くお読みください。



コイン形電池を飲み込まないでください。

n_0

回転数

IPM

衝撃範囲

V

ボルト



直流



電動工具、バッテリー/充電式バッテリーを家庭廃棄物と一緒に廃棄しないでください。寿命に達した電動工具とバッテリーは、個別に回収し、リサイクルを行ってください。リサイクルに関しましては、お住いの自治体または販売店までご相談ください。

